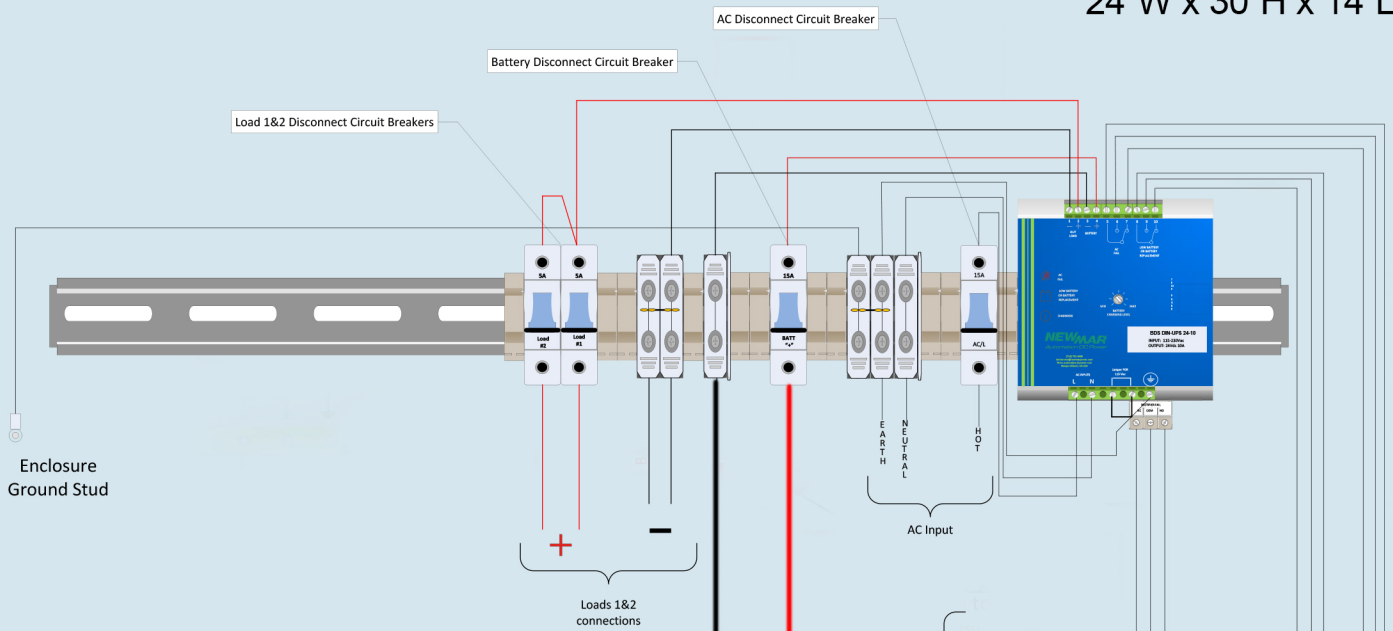
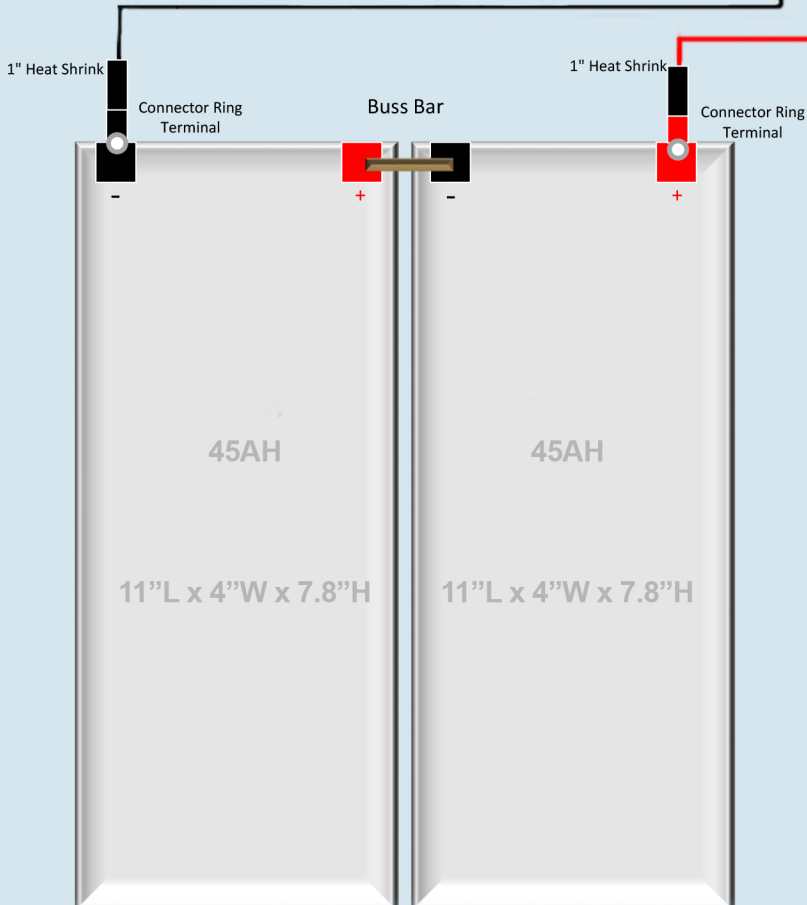


Enclosure
24"W x 30"H x 14"L

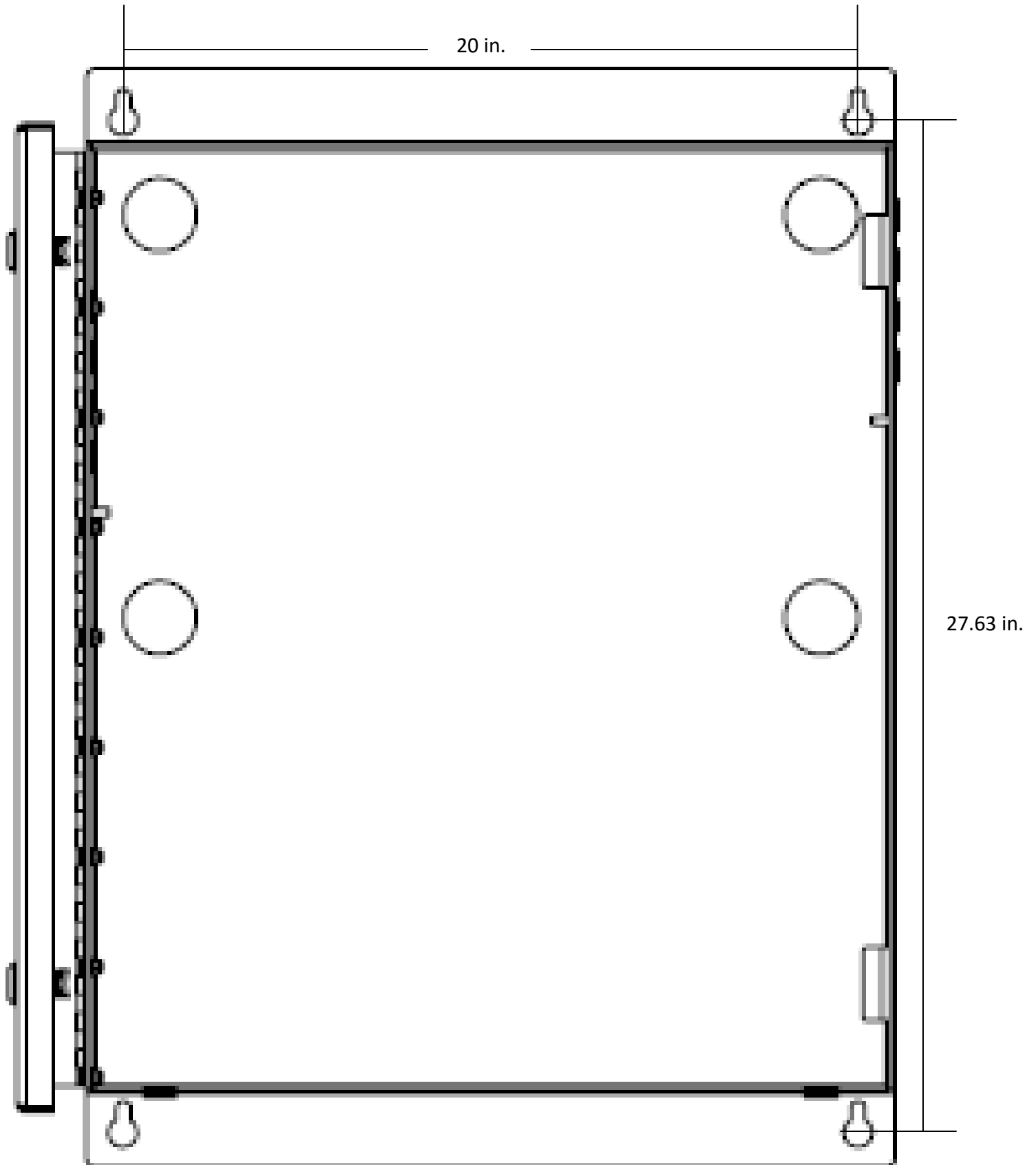


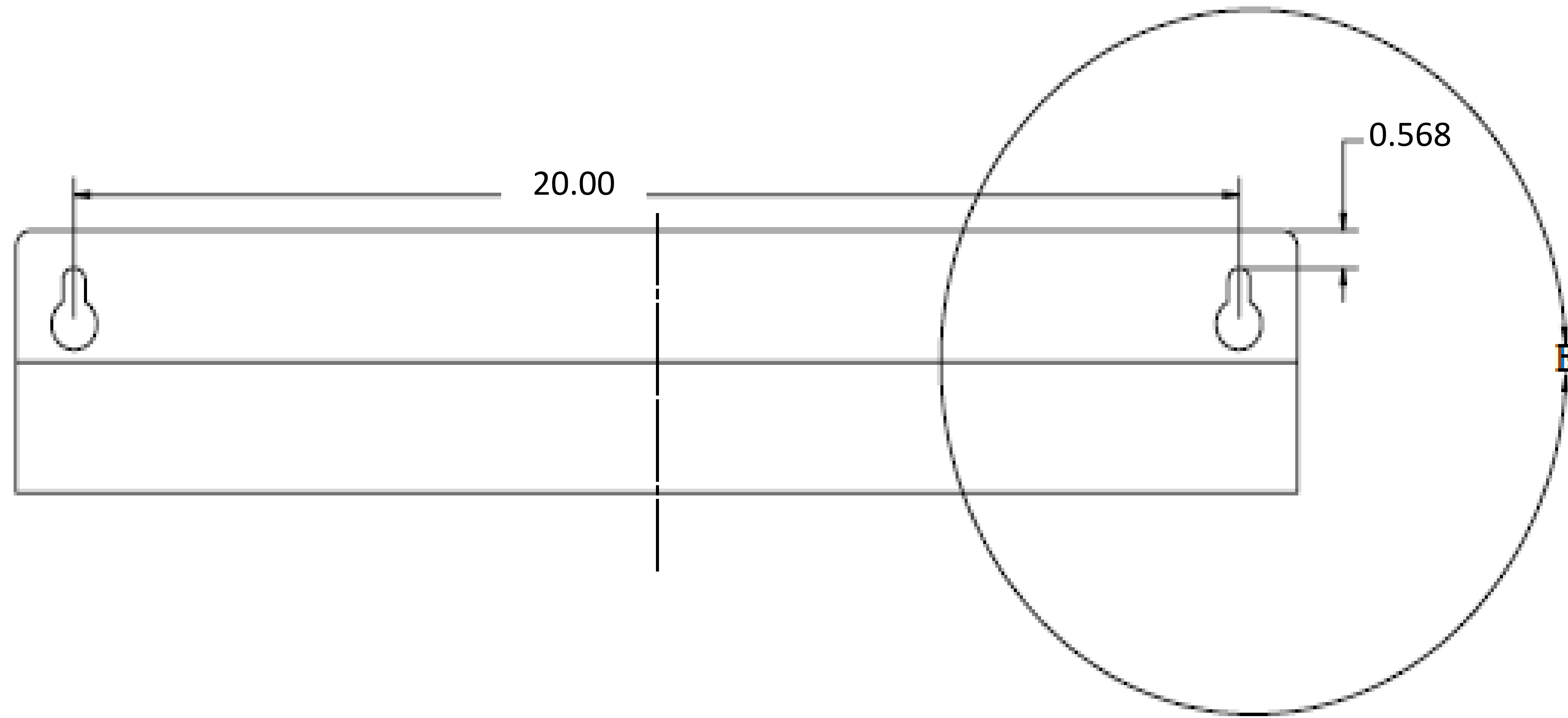
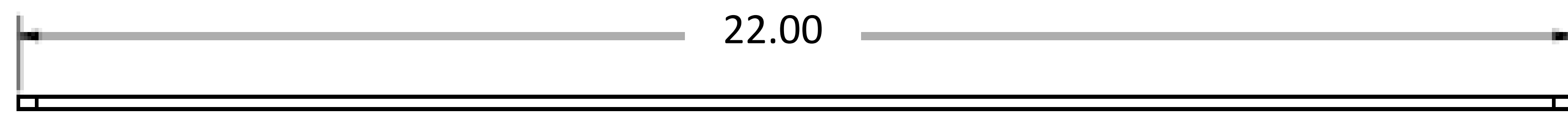
Model # BBU-NFPA24-45AH

Backup Time
45AH Battery / 1.5Amp Current Draw = 24Hours

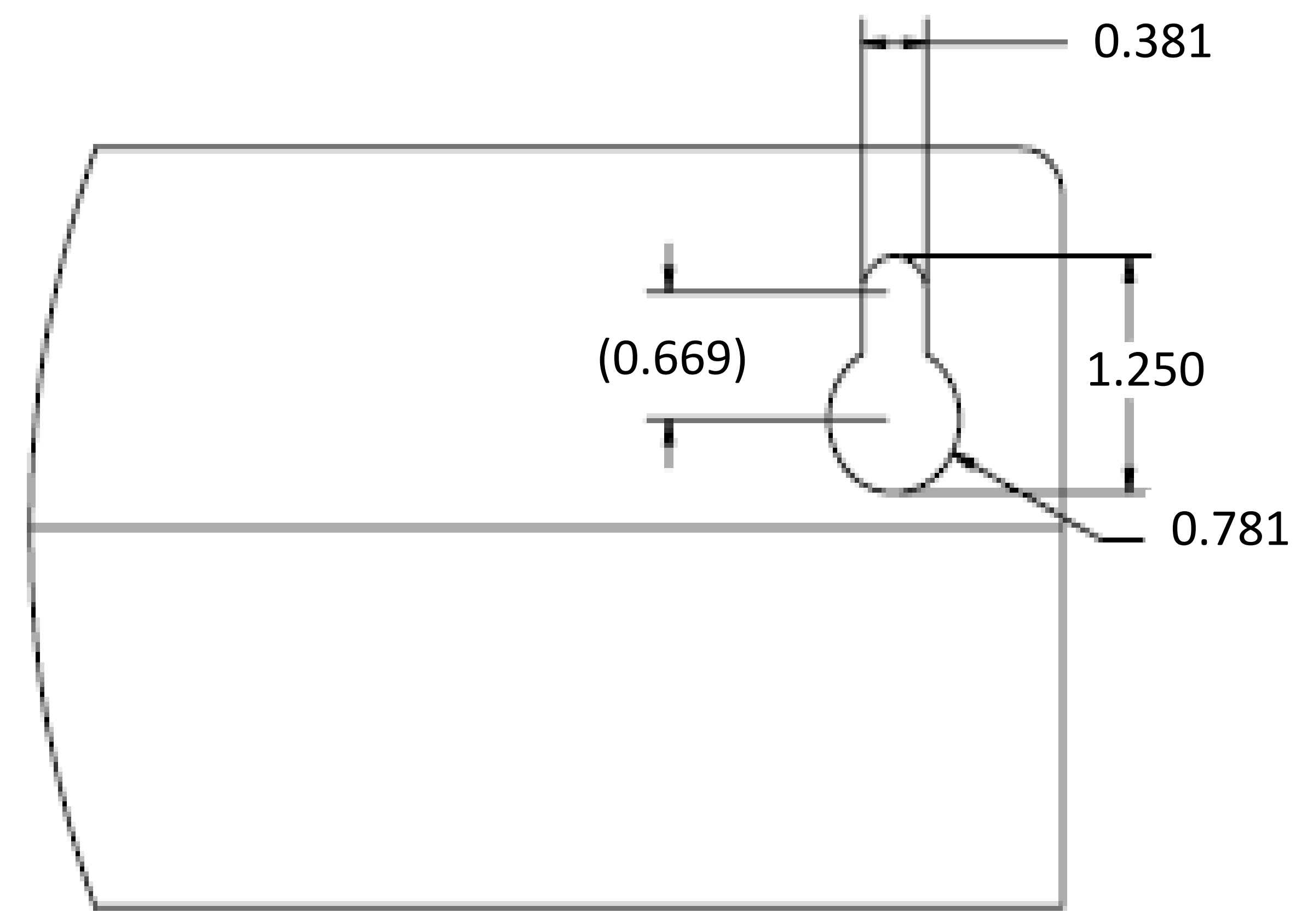


SKU # 90002911

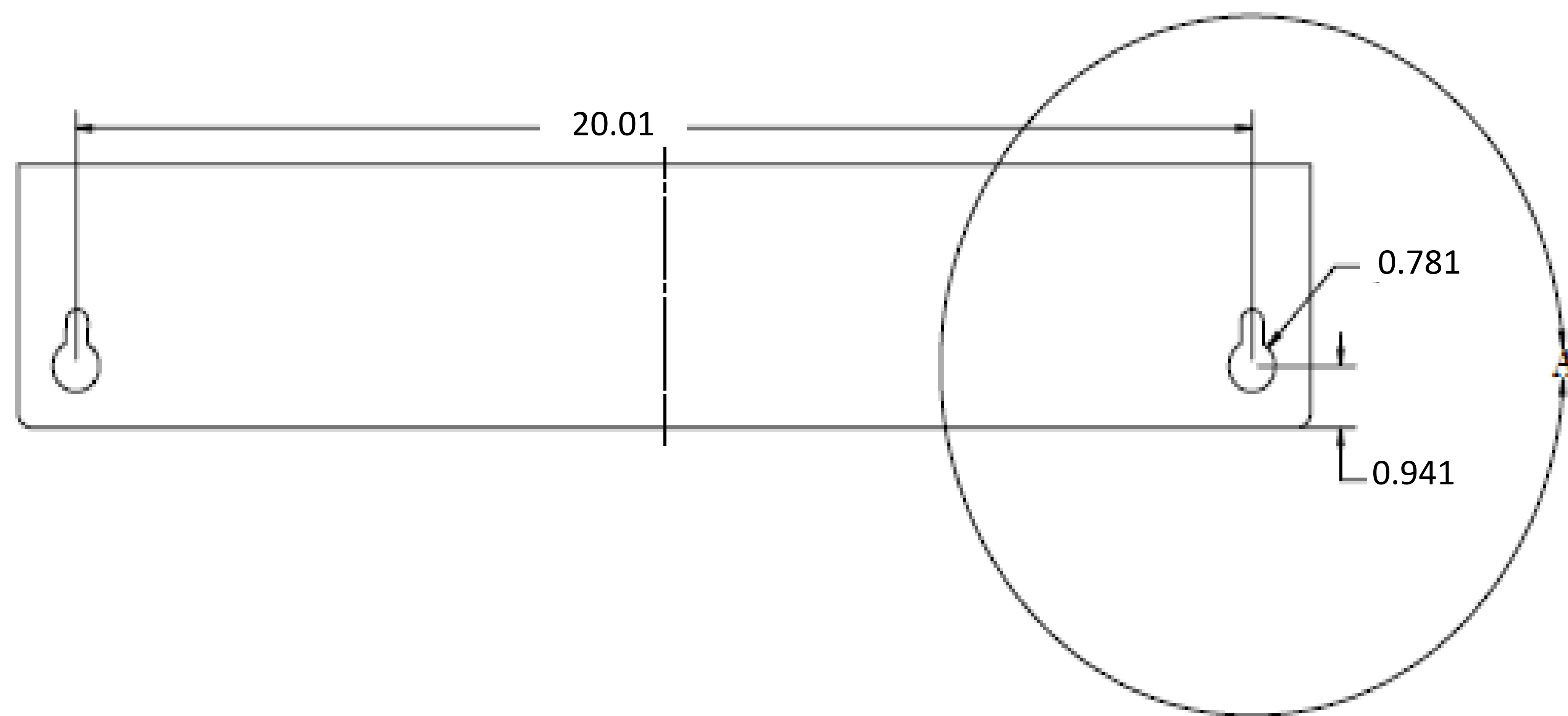
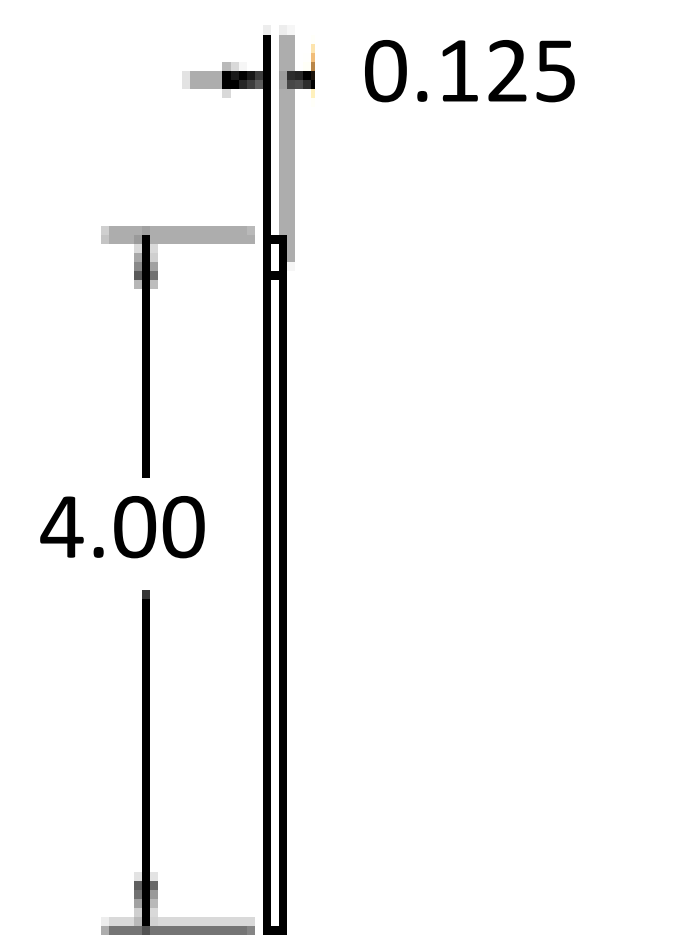




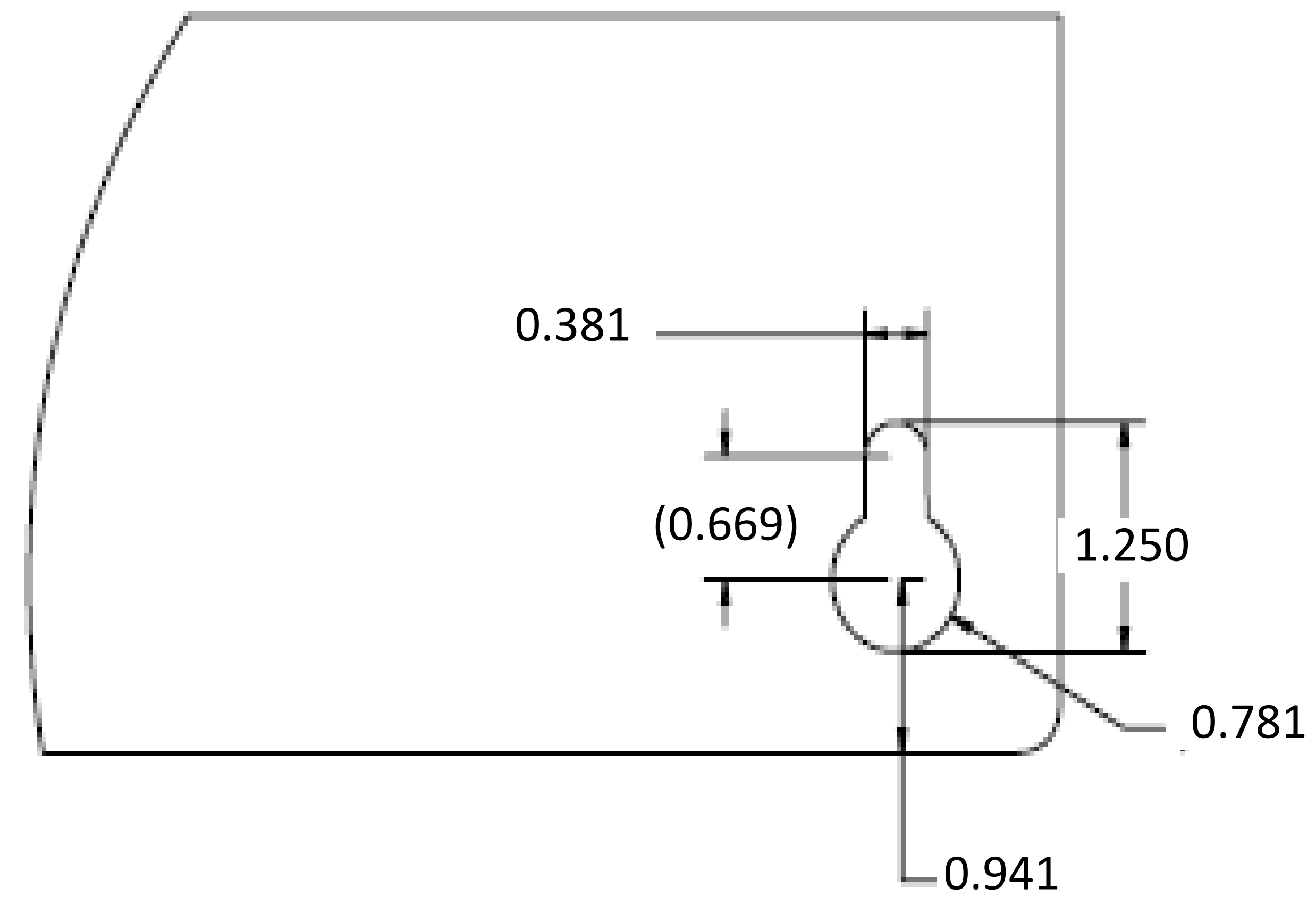
TOP MOUNTING LIP



**DETAIL B
SCALE 1:1**



BOTTOM MOUNTING LIP



**DETAIL A
SCALE 1:1**

