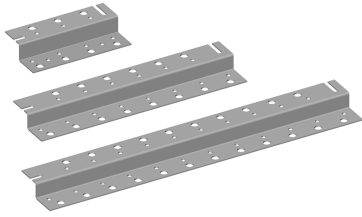


# ZB-H4

---



Horizontal Z-bracket, 11 in, for seven coaxial cable runs

## Product Classification

**Product Type** Bracket kit

## Dimensions

**Height** 50.8 mm | 2.0 in  
**Length** 279.4 mm | 11.0 in  
**Width** 152.4 mm | 6.0 in  
**Weight** 1.2 kg | 2.6 lb

## Environmental Specifications

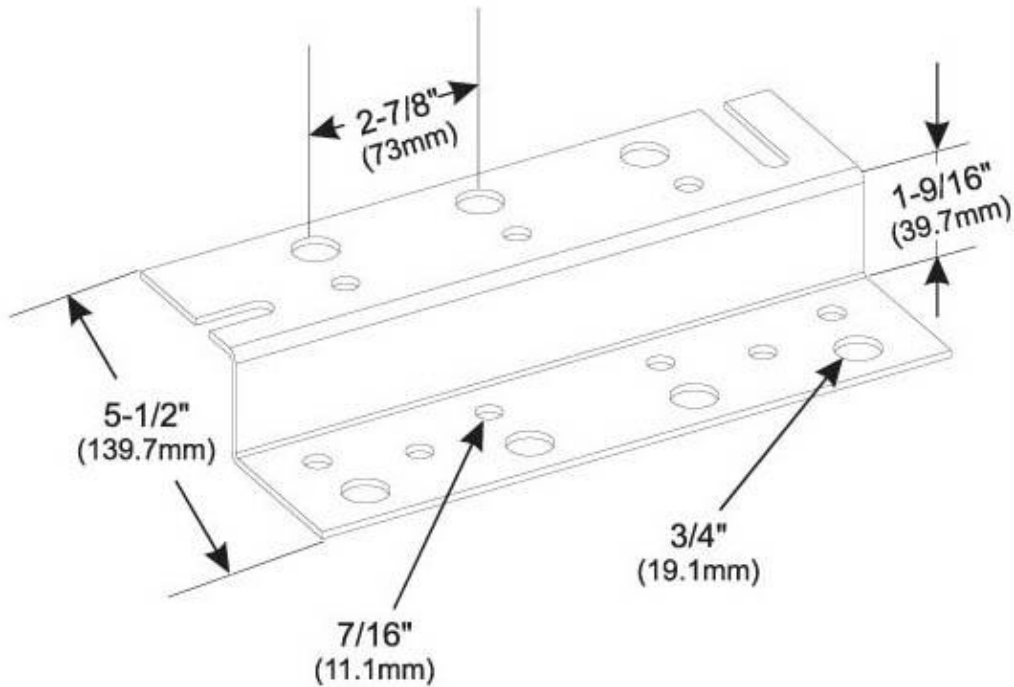
**Wind Rating** For Specifications, please contact [steelproducts@commscope.com](mailto:steelproducts@commscope.com) or call 800-255-1479

## General Specifications

**Cable Runs, quantity** 7  
**Mounting** Walls  
**Hole Size** 3/4 in | 7/16 in  
**Hole, quantity** 7  
**Includes** Z-bracket  
**Material Type** Hot dip galvanized steel  
**Package Quantity** 1

# ZB-H4

## Outline Drawing



## Regulatory Compliance/Certifications

**Agency**

ISO 9001:2015

**Classification**

Designed, manufactured and/or distributed under this quality management system



## \* Footnotes

**Wind Rating**

BWS—Base Wind Speed; FBC—Florida Building Code