

WB-LB24-3

Waveguide Bridge Support Bracket, 24 in wide for 3-1/2 in OD legs

Dimensions

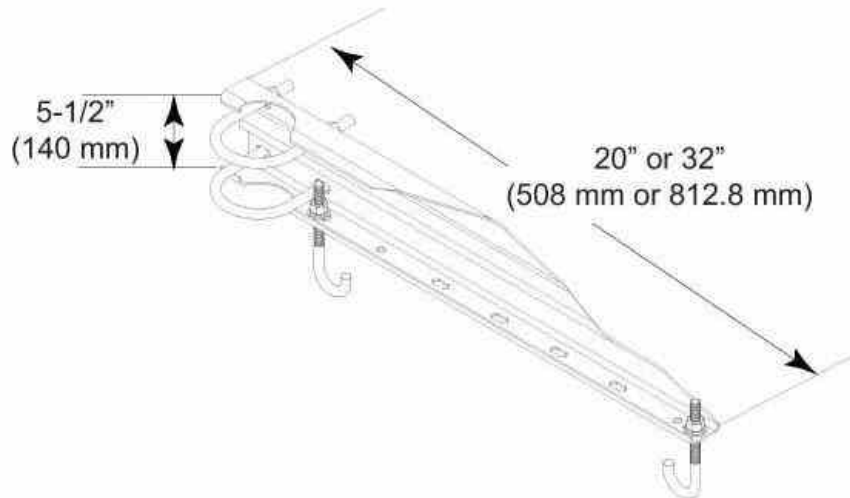
Width	812.8 mm 32.0 in
Height	50.8 mm 2.0 in
Length	152.4 mm 6.0 in
Weight	7.3 kg 16.0 lb

General Specifications

Product Type	Support bracket
Application	Waveguide bridge kit, 24 in
Cable Runs, quantity	24
Includes	Brackets Hardware
Material Type	Hot dip galvanized steel
Mounting	Pipe, 88.9 mm (3-1/2 in) OD
Package Quantity	1

WB1B24-3

Outline Drawing



Regulatory Compliance/Certifications

Agency	Classification
ISO 9001:2008	Designed, manufactured and/or distributed under this quality management system