

4

3

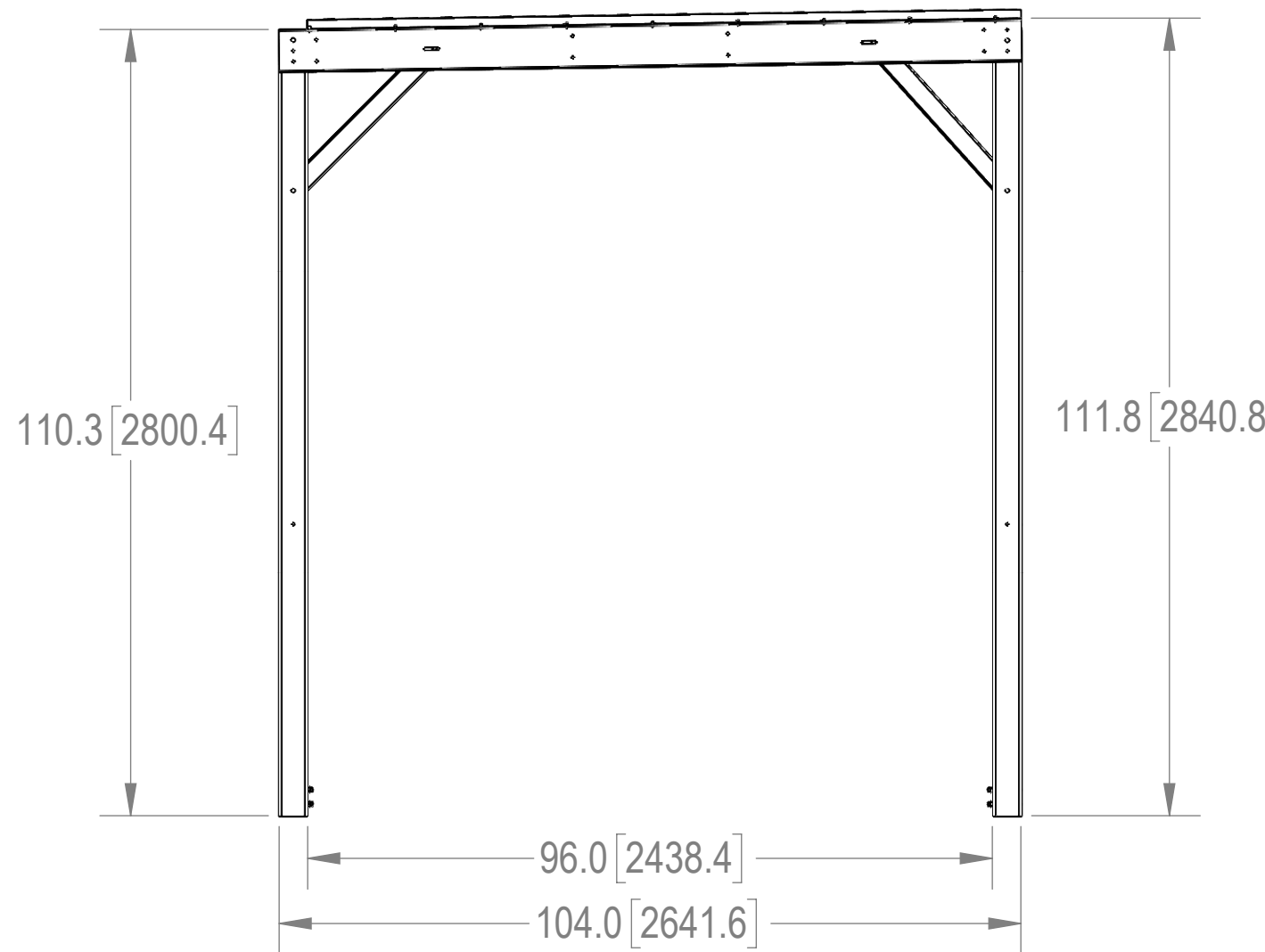
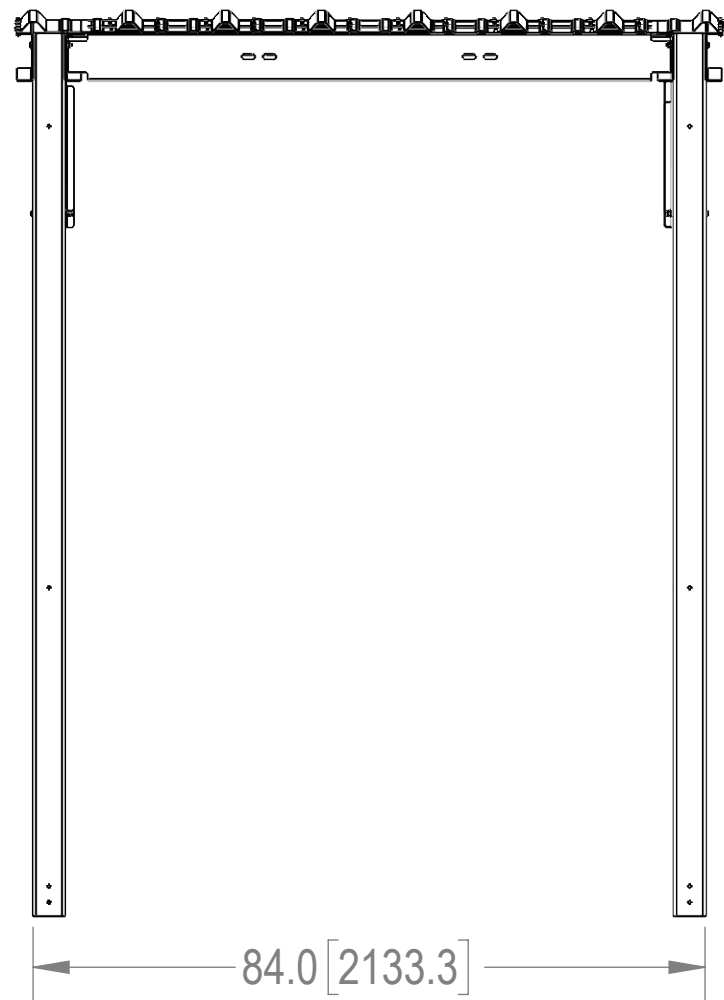
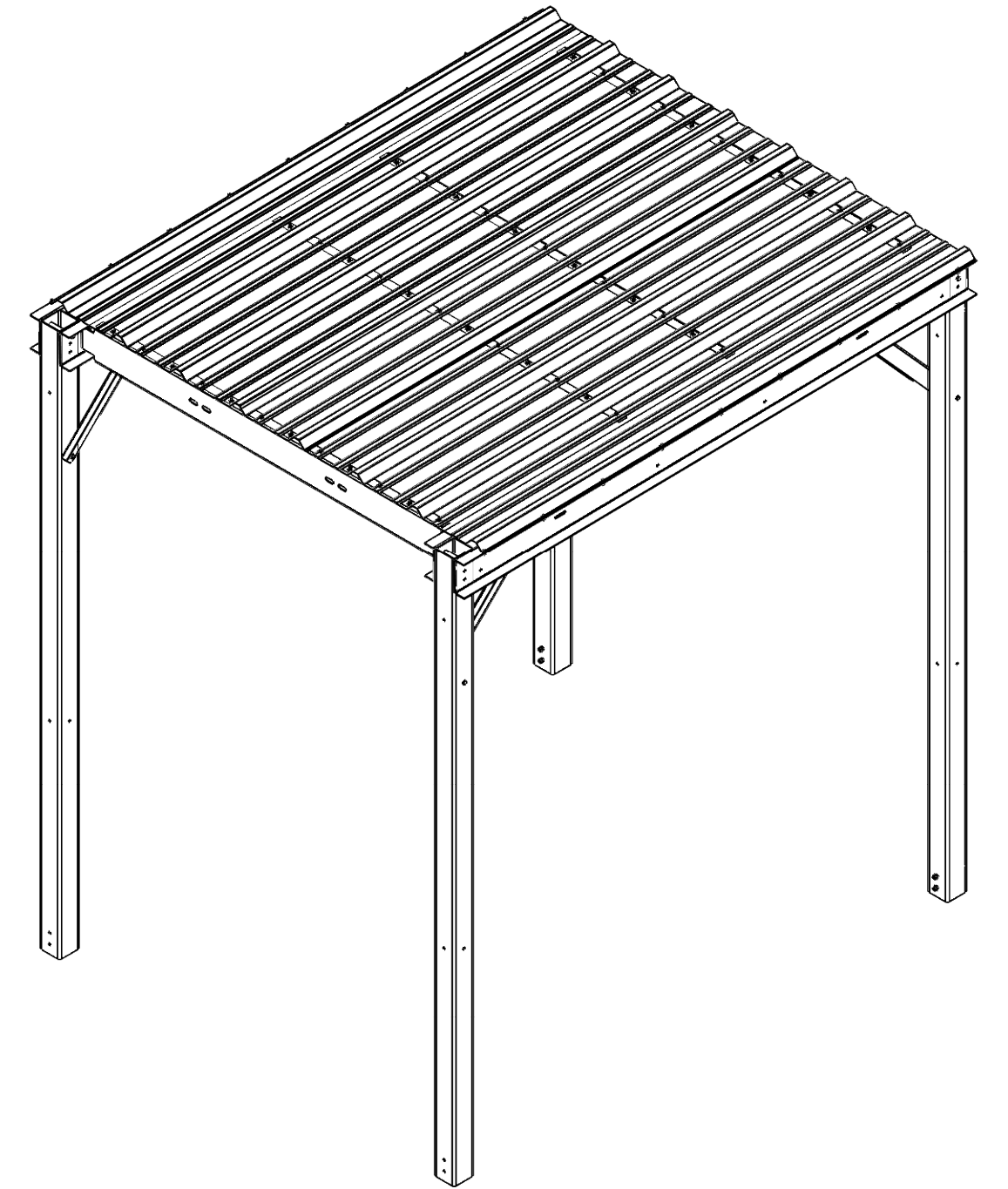
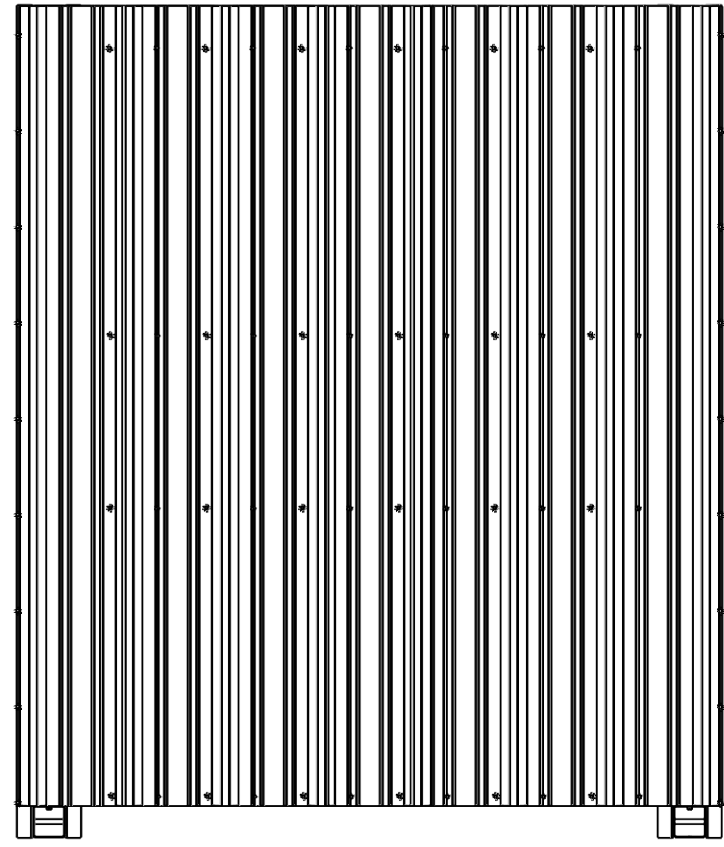
2

1

NOTES:

- 1.0 GENERAL NOTES
- 1.1 ALL METRIC DIMENSIONS ARE IN BRACKETS.
- 2.0 DESIGN NOTES
- 3.0 MANUFACTURING/SPECIAL REQUIREMENTS
- 4.0 TEST
- 5.0 PACKAGING

REVISIONS				
REV.	ECN	DESCRIPTION	BY	DATE
A	8000030684	INITIAL RELEASE	MRC	07/09/18
B	8000032546	ADDED SHEETS AND VIEWS FOR ASSY CLARITY	RJC	11/19/18
C	8000032819	ADDED CONSTRUCTION NOTES	RJC	12/05/18



ITEM	PART NO.	DESCRIPTION	QTY.	WEIGHT	NOTE NO.
1	GB-03105	3/8" X 1" GALV BOLT KIT	28	0.05 LBS	
2	GB-03505	3/8" X 5" GALV BOLT KIT	8	0.17 LBS	
3	GWf-03	3/8" GALV FLAT WASHER	8	0.01 LBS	
4	MTC3813C14	CANOPY BRACE, 11 GA, 30"	4	4.18 LBS	
5	MTC4037C10	POST, 4 X 4 X 110.25	4	56 LBS	
6	MTC4037C11	CHANNEL FORMED CANOPY END, 8' PLAT	4	33.52 LBS	
7	MTC4037C12	CHANNEL FORMED CANOPY, 8' PLATFORM	4	22.78 LBS	
8	RDR2636100	ROOF DECKING PBR 24 GA 36" X 144"	3	29.54 LBS	
9	TS1275	TEK SCREW #12 X 3/4, WITH NEOPRENE WASHER	66	0.02 LBS	

COMMSCOPE, INC. OF NORTH CAROLINA							
TOLERANCES		SAP MATERIAL MASTER					
0 PLACE X ± .25	2 PLACE .XX ± 0.06	MTC4037CR					
1 PLACE .X ± 0.12	ANGLES ± 2°						
FINISH GALV A123		MATERIAL A1011/A1018, A500					
UNLESS OTHERWISE SPECIFIED DIMENSIONS ARE IN INCHES INTERPRET PER ANSI Y 14.5M-1994	NAME	DATE	TITLE				
	CE MRC	06/26/18	8X8 EQUIPMENT PLATFORM RAIN SHADE CANOPY				
	RW BCAMPBELLCON	12/11/2018					
	RV MC1107	12/11/2018					
RE BCAMPBELLCON	12/11/2018						
ECN 008000032546	SCALE	DOCUMENT NO.					
	1:24	MTC4037CR					
SIZE	WORK AREA 24	MODEL					
C		VERSION	STATUS	REVISION	DRAWING		SHEET 1 OF 6
		00	RE	A	00	RE	

DENSITY	0.28	lbs/in ³
MASS	558.61	lbs
VOLUME	1979.55	in ³
SURFACE AREA		in ²
HEIGHT		
LENGTH		
WIDTH		

4

3

2

1

4

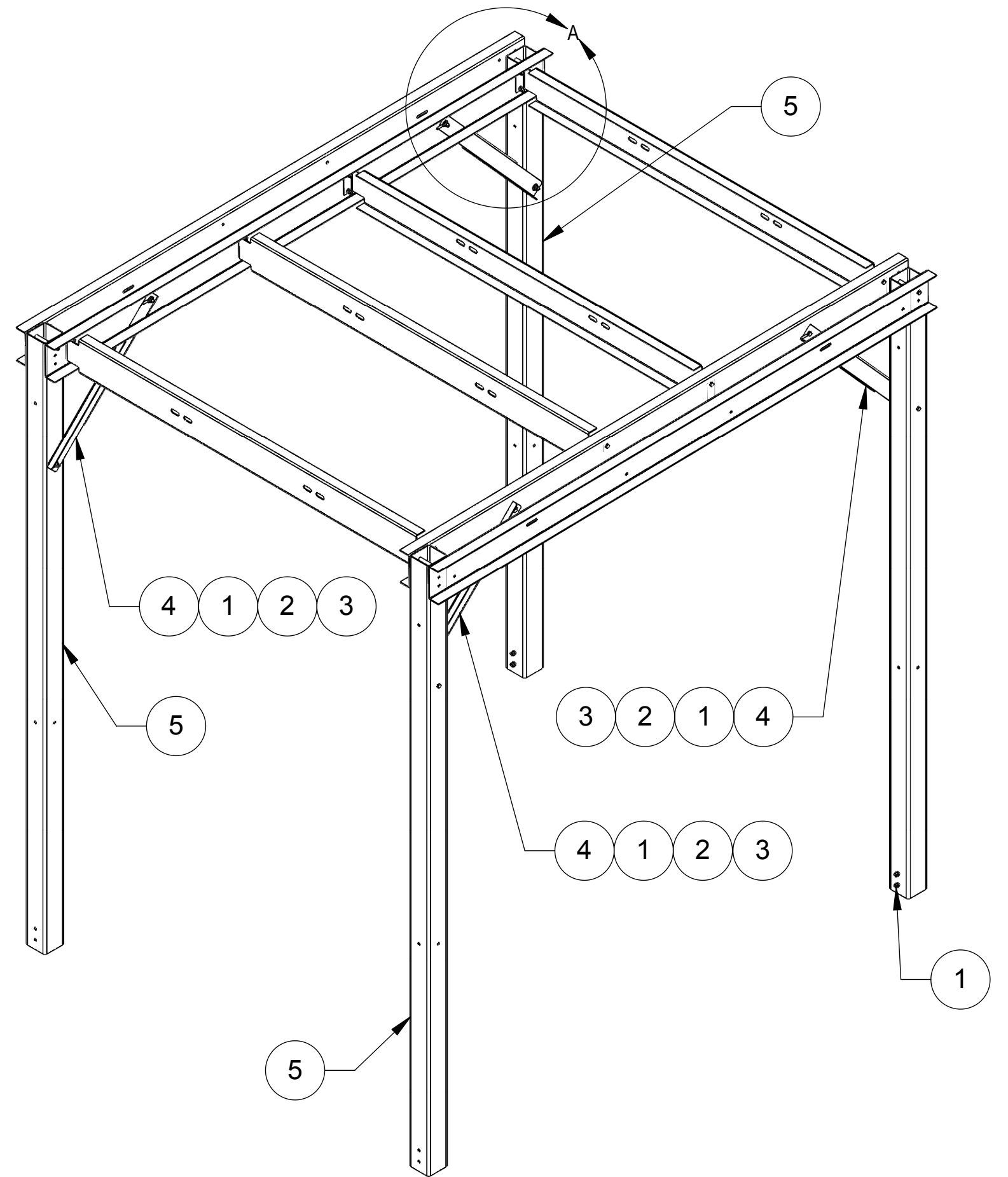
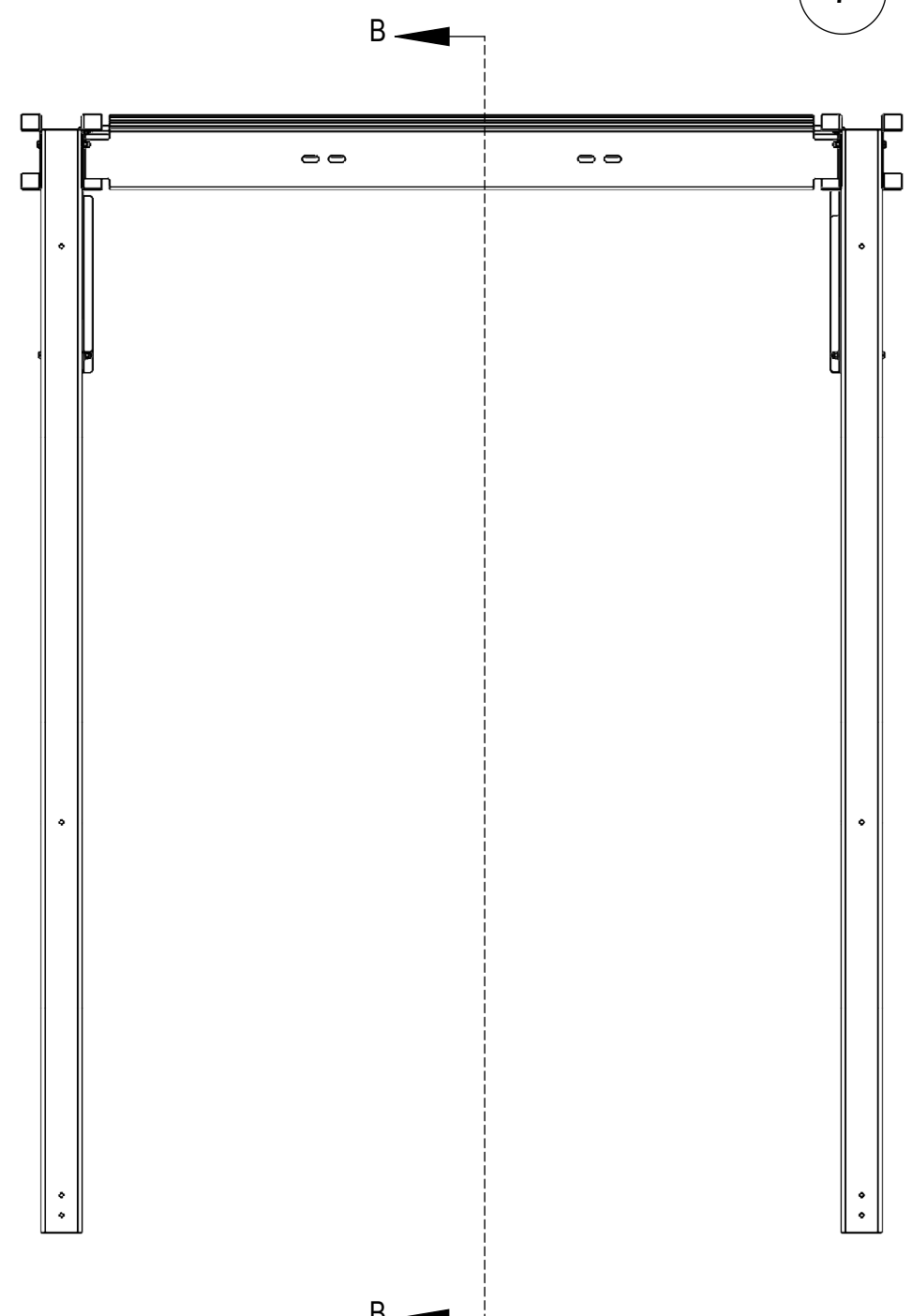
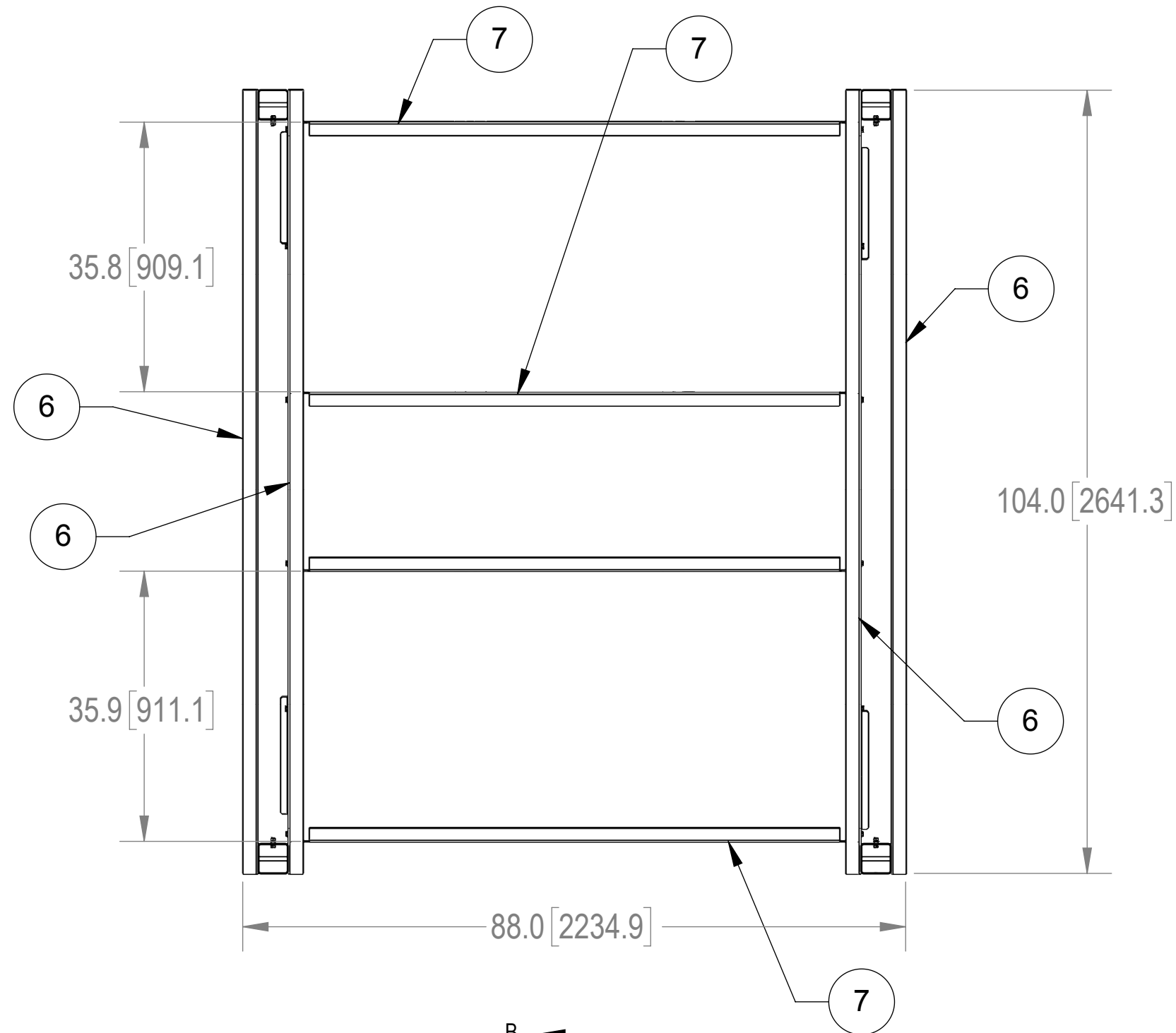
3


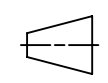
2

1

NOTES:

1.0 ALL METRIC DIMENSIONS ARE IN BRACKETS.



COMMSCOPE, INC. OF NORTH CAROLINA				
TITLE 8X8 EQUIPMENT PLATFORM RAIN SHADE CANOPY				
SIZE C	SCALE 1:18	DOCUMENT NO. MTC4037CR		
 		DRAWING		SHEET 2 OF 6
		VERSION 02	STATUS RE	

4

3

2

1

D

C

B

A

D

C

B

A

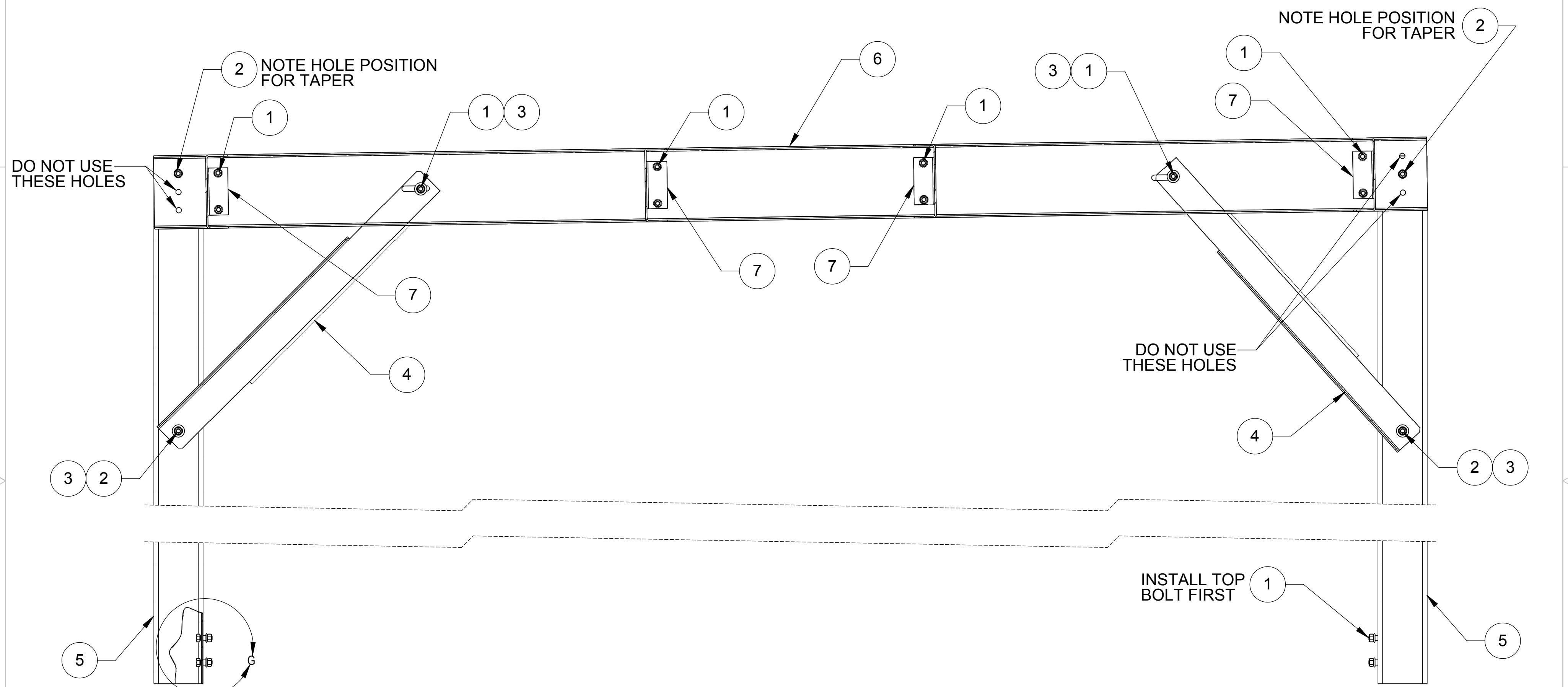
4

3

2

1

NOTES:
THIS DESIGN SHOWS THE CANOPY TAPERS DOWN TOWARD
THE BACK AWAY FROM THE STEPS.



COMMSCOPE, INC. OF NORTH CAROLINA					
TITLE 8X8 EQUIPMENT PLATFORM RAIN SHADE CANOPY					
SIZE C	SCALE 1:6	DOCUMENT NO. MTC4037CR			
		DRAWING			SHEET
		VERSION 02	STATUS RE	REVISION C	3 OF 6

© 2018 CommScope, Inc. Confidential

4

3

2

1

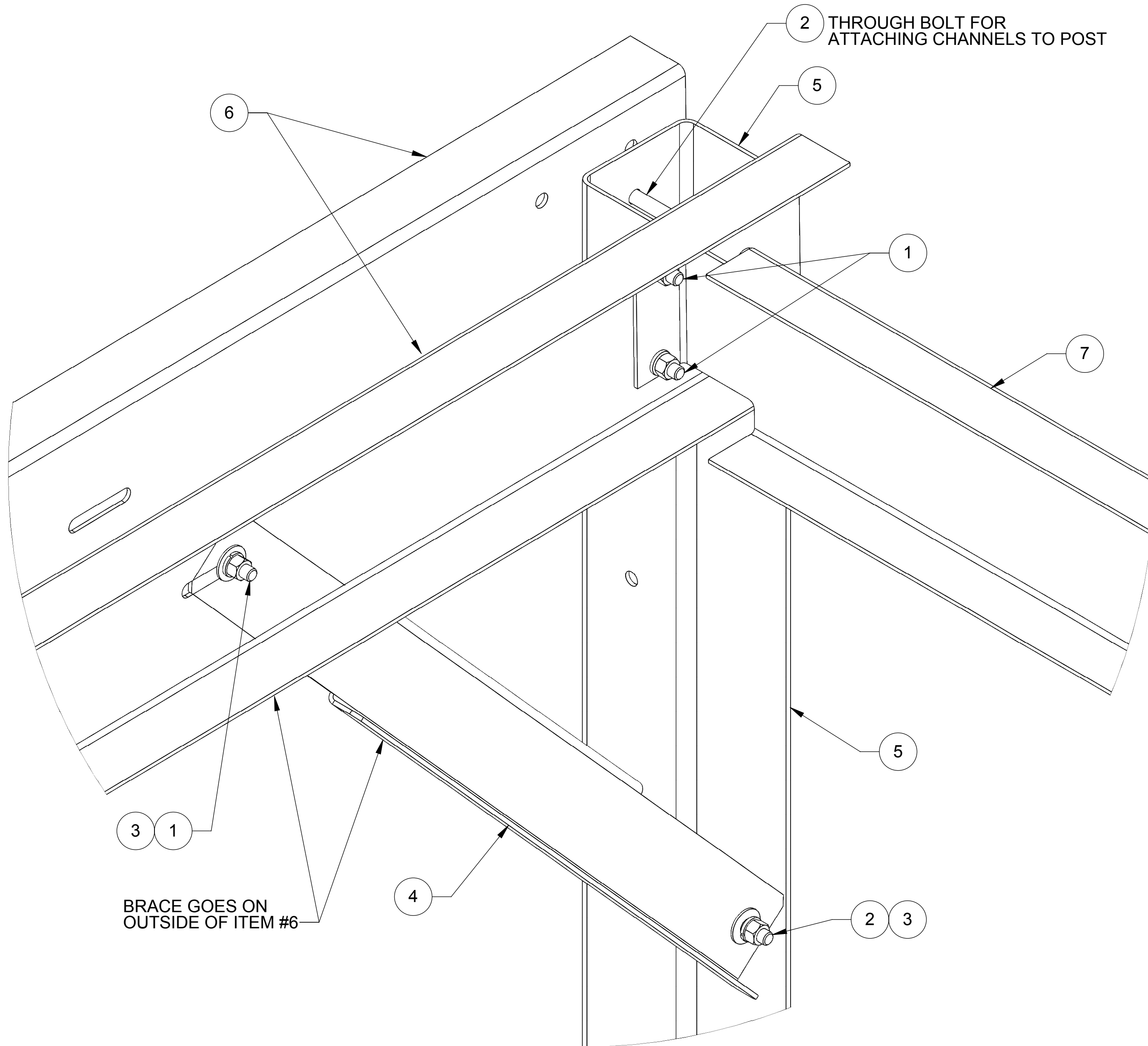
4

3

2

1

NOTES:



2 THROUGH BOLT FOR ATTACHING CHANNELS TO POST

BRACE GOES ON OUTSIDE OF ITEM #6

DETAIL A
SCALE 1:2

COMMSCOPE, INC. OF NORTH CAROLINA				
TITLE 8X8 EQUIPMENT PLATFORM RAIN SHADE CANOPY				
SIZE C	SCALE 1:8	DOCUMENT NO. MTC4037CR		
		DRAWING		SHEET
		VERSION	STATUS	REVISION
		02	RE	C
				4 OF 6

© 2018 CommScope, Inc. Confidential

4

3

2

1

D

D

C

C

B

B

A

A

4

3

2

1

NOTES:

1.0 ALL METRIC DIMENSIONS ARE IN BRACKETS.

D

D

C

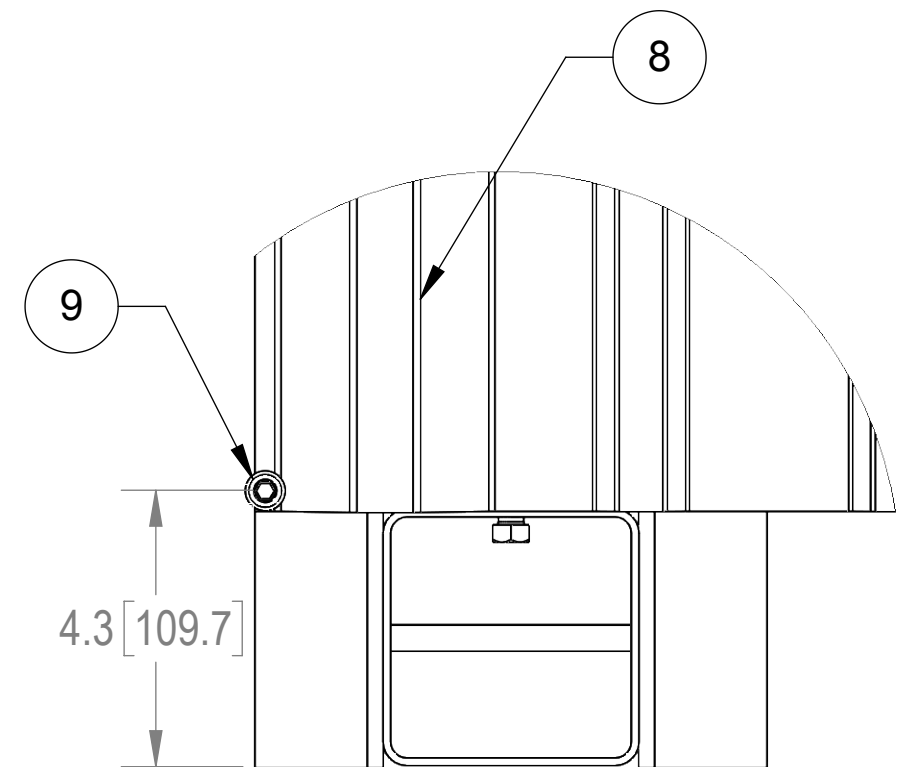
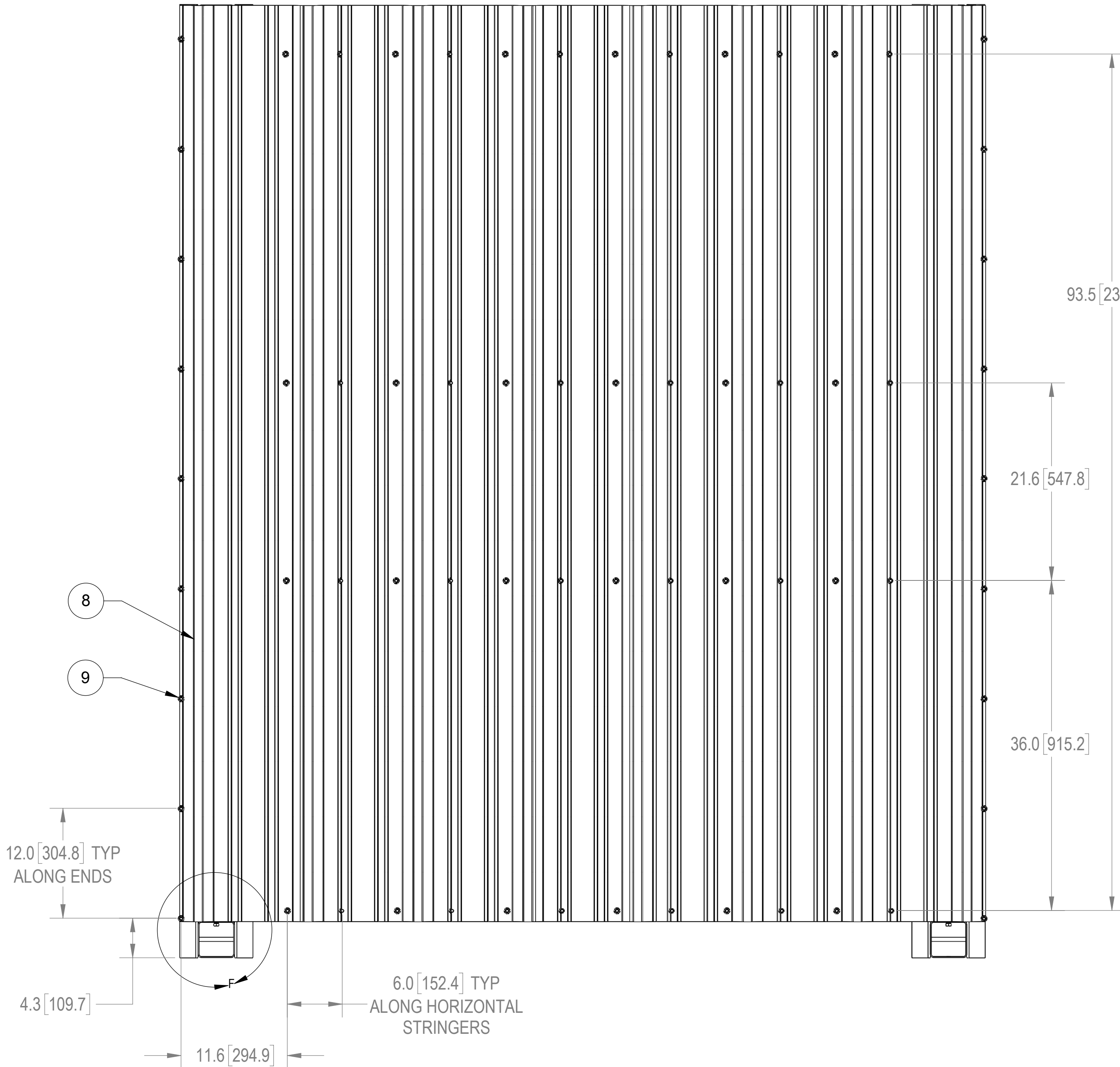
C

B

B

A

A



DETAIL F
SCALE 1:3

COMMSCOPE, INC. OF NORTH CAROLINA

TITLE
8X8 EQUIPMENT PLATFORM RAIN
SHADE CANOPY

SIZE C	SCALE 1:8	DOCUMENT NO. MTC4037CR
------------------	---------------------	----------------------------------

	DRAWING			SHEET 5 OF 6
	VERSION 02	STATUS RE	REVISION C	

© 2018 CommScope, Inc. Confidential

4

3

2

1

4

3

2

1

NOTES:

D

D

C

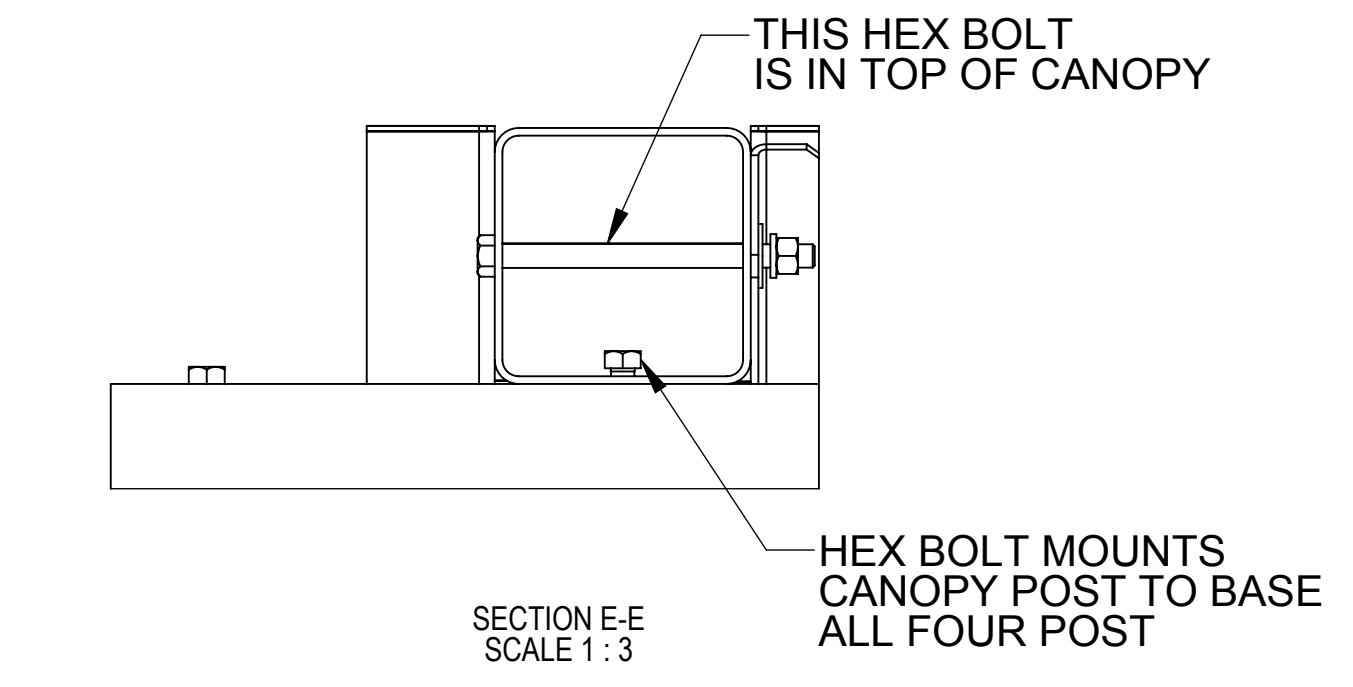
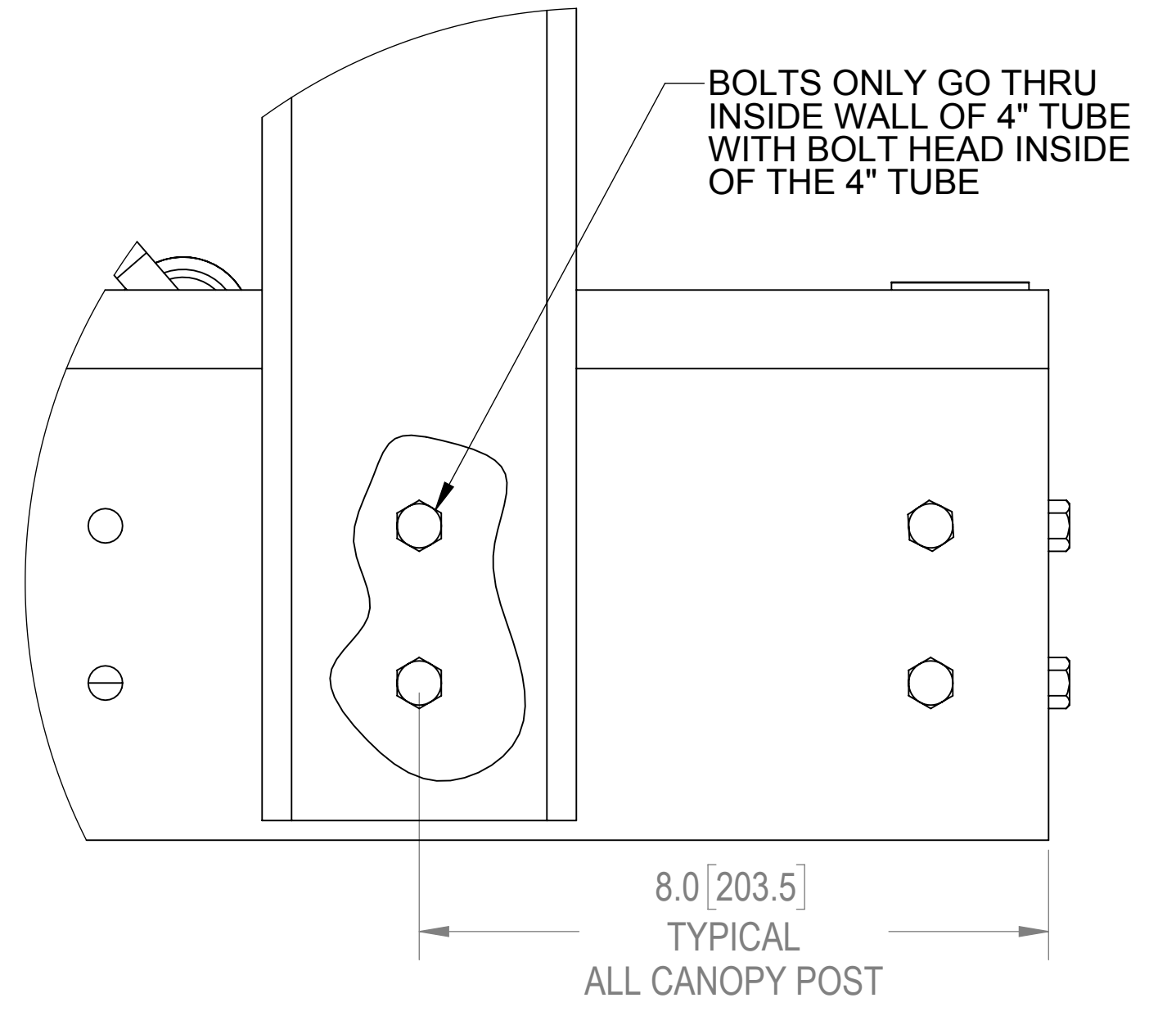
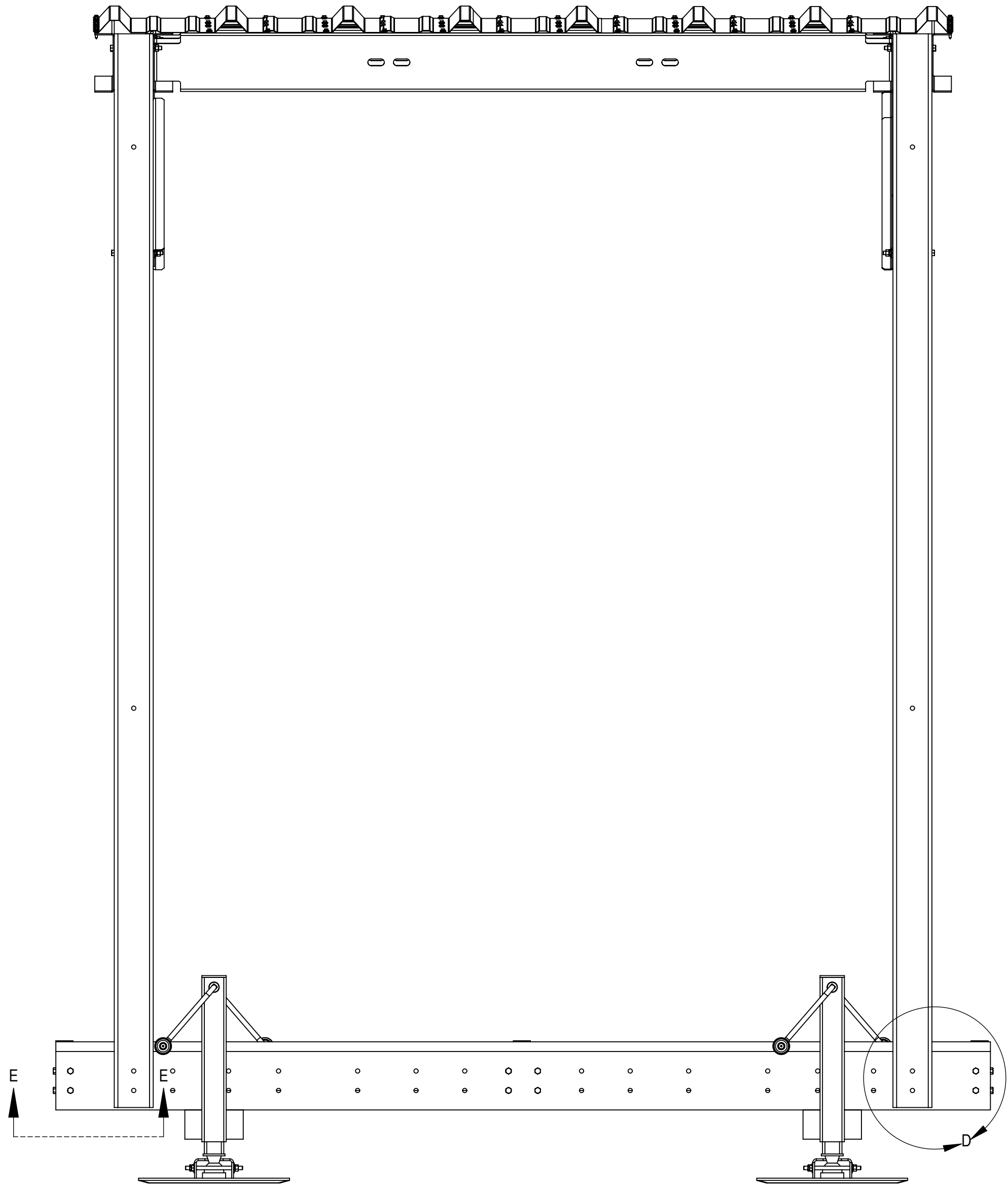
C

B

B

A

A



DETAIL D
SCALE 1:2

COMMSCOPE, INC. OF NORTH CAROLINA				
TITLE 8X8 EQUIPMENT PLATFORM RAIN SHADE CANOPY				
SIZE C	SCALE 1:10	DOCUMENT NO. MTC4037CR		
		DRAWING		SHEET
		VERSION	STATUS	REVISION
		02	RE	C
				6 OF 6

4

3

2

1