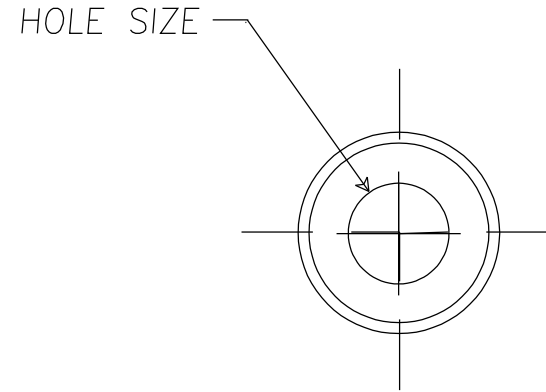
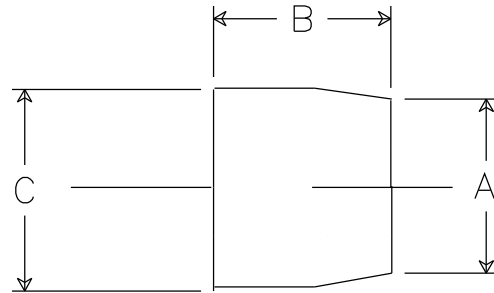


DIMENSIONS

A 0.875
 B 0.875
 C 1.000



HOLE SIZE $\pm .010$

NOTES:

- 1.0 ANGULAR TOLERANCE $\pm 1/2$ DEGREE
- 2.) FLASH TO BE HELD TO A MINIMUM AND MAY NOT WEBB ACROSS HOLE DIA.
- 3.) 1D/OD CONCENTRICITY WITHIN .20
- 4.) ALL OTHER DIM $\pm .015$

REV. A 5-30-00 ADD NOTE ON TOLERANCE

PART NUMBER	HOLE SIZE
SRB-208-1	.500
SRB-209-1	.562
SRB-210-1	.625
SRB-211-1	.688
SRB-212-1	.750
SRB-213-1	.812

REMKE INDUSTRIES
 Wheeling, Illinois 60090

SCALE: APPROX FULL
 MATERIAL: NEOPRENE 50-60 DUROMETER
 FINISH: NATURAL BLACK
 PART NAME: BUSHING
 PART NUMBER: SRB-208-1 THRU SRB-213-1
 DRAWING DATE: 940209