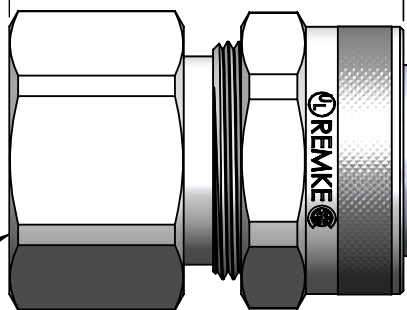


2.28  
APPROX.

7.21 APPROX.



1" N.P.T.  
INTERNAL  
THREADS

DOUBLE WEAVE

SINGLE WEAVE

ITEM NO.	PART NUMBER	DESCRIPTION	MATERIAL	QTY.
1	RSRF-300-B	BODY	ALUMINUM	1
2	SRB-309-310	BUSHING	NEOPRENE	1
3	RSR-300-ND2	NUT	ALUMINUM	1
4	R-210-D	MESH	STAINLESS STEEL	1



CATALOG NUMBER	SEALING RANGE	BODY BORE
RSRF-309-E	.500 - .562	1.000
RSRF-310-E	.500 - .625	1.000

REV.	DATE	CHANGE	UNLESS OTHERWISE SPECIFIED:	NAME	DATE	<b>REMKE</b> REMKE INDUSTRIES 310 CHADDICK DR, WHEELING, IL. 60090	
A	7/8/15	DRAWING RELEASED	DIMENSIONS ARE IN INCHES TOLERANCES: FRACTIONAL $\pm 1/64$ ANGULAR: MACH $\pm 1^\circ$ BEND $\pm 1^\circ$ ONE PLACE DECIMAL $\pm .015$ TWO PLACE DECIMAL $\pm .010$ THREE PLACE DECIMAL $\pm .005$	DRAWN JCN	7/15	TITLE: <b>RSRF-300-E SERIES</b>	
			INTERPRET GEOMETRIC TOLERANCING PER:	CHECKED		SIZE <b>A</b>	
			MATERIAL	ENG APPR.		DWG. NO. RSRF-309-310-E ASSEMBLY	
			FINISH	MFG APPR.		SCALE: 0.9:1	
			DO NOT SCALE DRAWING	Q.A.		SHEET 1 OF 1	
				<b>PROPRIETARY AND CONFIDENTIAL</b>			
				THE INFORMATION CONTAINED IN THIS DRAWING IS THE SOLE PROPERTY OF REMKE INDUSTRIES. ANY REPRODUCTION IN PART OR AS A WHOLE WITHOUT THE WRITTEN PERMISSION OF REMKE INDUSTRIES IS PROHIBITED.			

5

↑

4

3

2

1