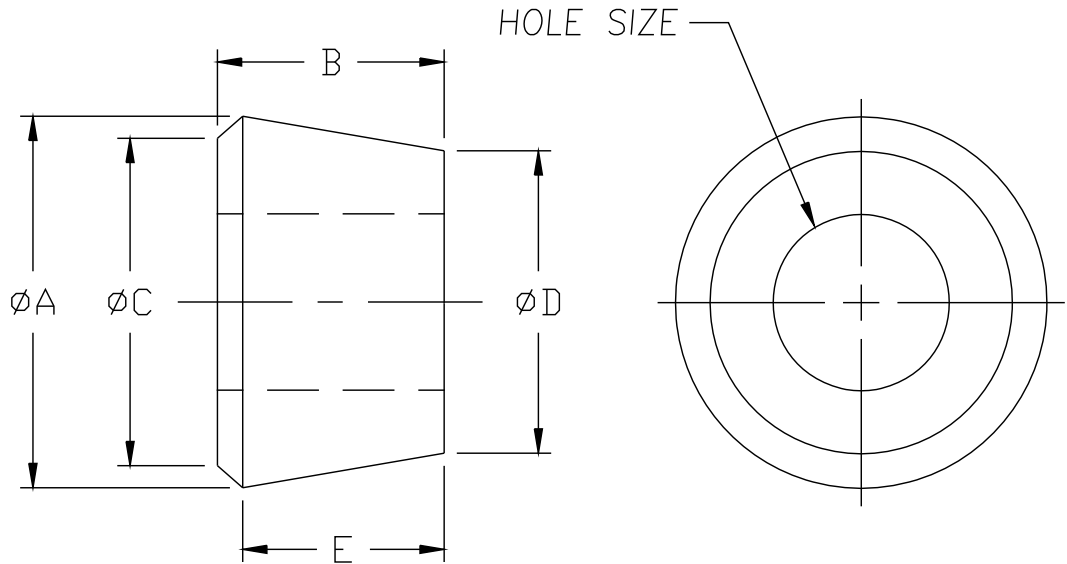


DIMENSIONS

A	1.843	NOMINAL $\pm .015$ *
B	1.125	$\pm .020$ *
C	1.625	$\pm .015$ *
D	1.500	REF.
E	1.000	REF.



PART NUMBER	HOLE DIAMETER	$\pm .010$
SRB-506	0.375	*
SRB-508	0.500	*
SRB-510	0.626	*
SRB-511	0.687	*
SRB-512	0.750	*
SRB-513	0.812	*
SRB-514	0.875	*
SRB-515	0.937	*
SRB-516	1.000	*
SRB-517	1.062	*
SRB-518	1.125	*
SRB-519	1.187	*
SRB-520	1.250	*
SRB-522	1.375	*
SRB-523	1.450"	*

NOTES:

- 1.) ANGULAR TOLERANCE $\pm 1/2^\circ$
- 2.) FLASH TO BE HELD TO A MINIMUM AND MAY NOT WEBB ACROSS HOLE DIA.
- 3.) ID/OD CONCENTRICITY WITHIN .020

* INDICATES CRITICAL INSPECTION DIMENSIONS

REMKE INDUSTRIES

Wheeling, Illinois 60090

SCALE: APPROX FULL
 MATERIAL: NEOPRENE 50-60 DUROMETER A
 FINISH: NATURAL BLACK
 PART NAME: BUSHING
 PART NUMBER: SRB-506 THRU SRB-523
 DRAWING DATE: 930204

REV. A	4-11-96	CORRECT DIM B
REV. B	9-29-97	ADD SRB-515
REV. C	11-11-97	ADD SRB-510 & SRB-511
REV. D	2-18-98	ADD SRB-512
REV. E	9-20-98	ADD SRB-513
REV. F	5/11/00	ADDED TOLERANCES & NOTES
REV. G	8/24/01	ADDED SRB-517
REV. H	2/20/02	ADDED SRB-506
REV. J	6/27/02	SRB-517 I.D. 1.062, WAS 1.100 & ADDED SRB-519
REV. K	10/12/07	ADDED SRB-523