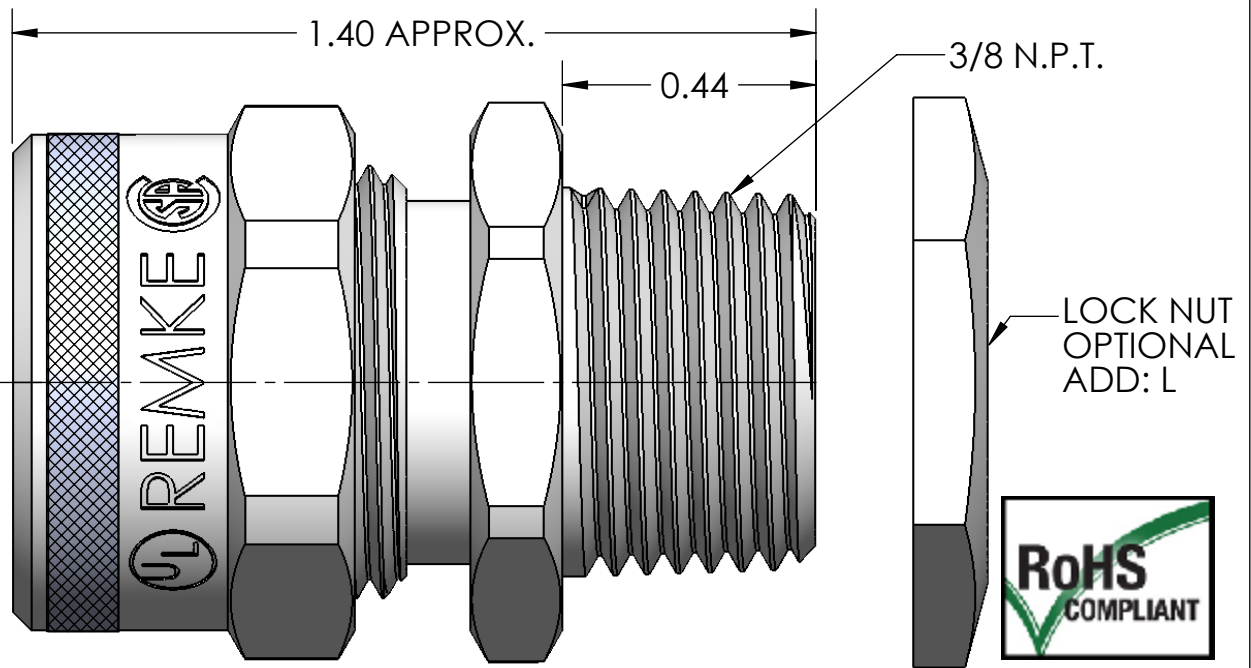


NUT



ITEM NO.	PART NUMBER	DESCRIPTION	MATERIAL	QTY
1	RSR-000-B	BODY	ALUMINUM	1
2	SRB-004-SRB-005	BUSHING	NEOPRENE	1
3	SW-000	WASHER	C.R.S. ZINC PLATED	1
4	RSR-000-N	NUT	ALUMINUM	1
5	LN-38	LOCK NUT	ADD: L C.R.S. ZINC PLATED	1

PART NUMBER	SEALING RANGE	BODY BORE
RSR-003	.125 - .188	.470
RSR-004	.188 - .250	.470
RSR-005	.250 - .312	.470
RSR-006	.312 - .375	.470
RSR-007	.375 - .438	.470

REV.	DATE	CHANGE	UNLESS OTHERWISE SPECIFIED:	NAME	DATE	REMKE REMKE INDUSTRIES 310 CHADDICK DR, WHEELING, IL. 60090	
A	04/22/13	DRAWING RELEASED	DIMENSIONS ARE IN INCHES TOLERANCES: FRACTIONAL $\pm 1/64$ ANGULAR: MACH $\pm 1^\circ$ BEND $\pm 1^\circ$ ONE PLACE DECIMAL $\pm .015$ TWO PLACE DECIMAL $\pm .010$ THREE PLACE DECIMAL $\pm .005$	DRAWN	JCN	4/13	TITLE:
			INTERPRET GEOMETRIC TOLERANCING PER:	CHECKED			RSR-000 SERIES
			MATERIAL	ENG APPR.			
			ALUMINUM	MFG APPR.			SIZE
			FINISH	Q.A.			DWG. NO.
			DO NOT SCALE DRAWING	PROPRIETARY AND CONFIDENTIAL THE INFORMATION CONTAINED IN THIS DRAWING IS THE SOLE PROPERTY OF REMKE INDUSTRIES. ANY REPRODUCTION IN PART OR AS A WHOLE WITHOUT THE WRITTEN PERMISSION OF REMKE INDUSTRIES IS PROHIBITED.			RSR-000 ASSEMBLY
				SCALE: 3:1			SHEET 1 OF 1