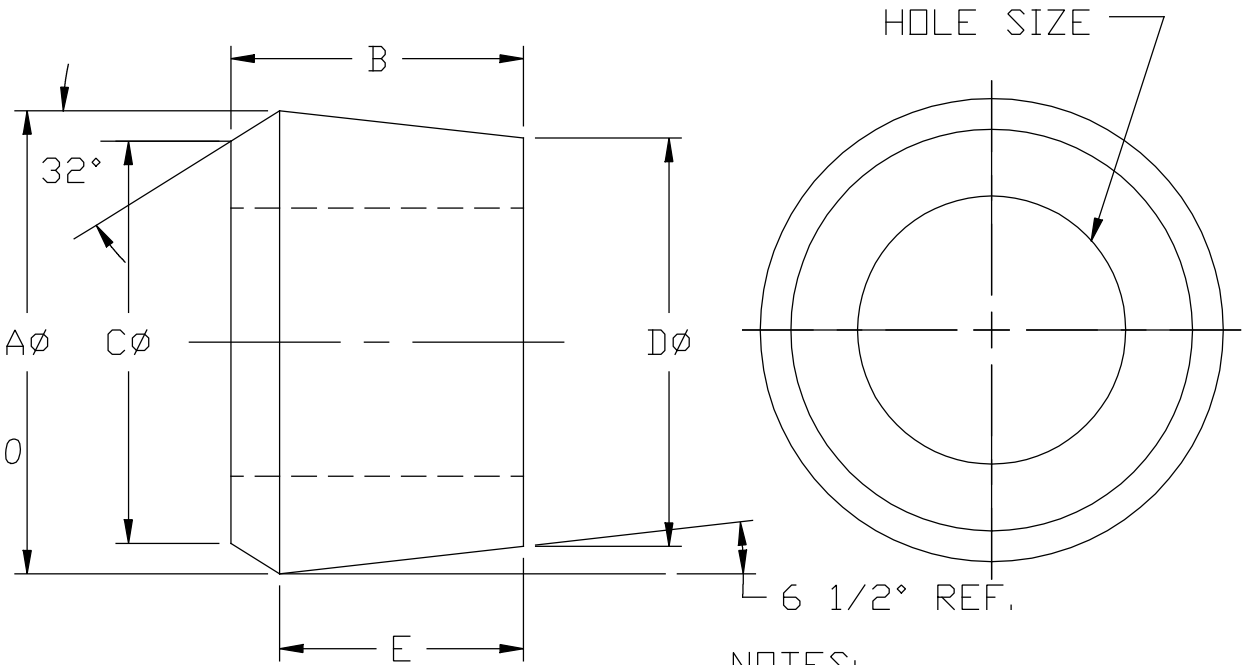


DIMENSIONS

- A. 2.375" NOMINAL +/- .015 *
- B. 1.500" +/- .020 *
- C. 2.062" +/- .015 *
- D. 2.093" REF.
- E. 1.250" REF.

PART NUMBER	HOLE DIAMETER	+/- .010
SRB-611	Ø.688"	*
SRB-613	Ø.812"	*
SRB-614	Ø.875"	*
SRB-616	Ø1.000"	*
SRB-617	Ø1.062"	*
SRB-618	Ø1.125"	*
SRB-620	Ø1.250"	*
SRB-622	Ø1.375"	*
SRB-623	Ø1.437"	*
SRB-625	Ø1.562"	*
SRB-627	Ø1.687"	*
SRB-629	Ø1.812"	*



NOTES:

- 1.) ANGULAR TOLERANCE ±1/2°
- 2.) FLASH TO BE HELD TO A MINIMUM AND MAY NOT WEBB ACROSS HOLE DIA.
- 3.) ID/OD CONCENTRICITY WITHIN .020

* INDICATES CRITICAL INSPECTION DIMENSIONS

REV.	DATE	CHANGE
	10/20/98	DRAWING RELEASED
A	5/11/00	ADDED TOLERANCE & NOTES
B	10/23/00	ADDED SRB-620
C	6/20/01	ADDED SRB-613
D	5/30/02	ADDED SRB-618
E	10/13/05	ADDED SRB-623
F	12/28/09	ADDED SRB-611
G	1/2/12	ADDED SRB-614
H	5/28/14	ADDED SRB-616

UNLESS OTHERWISE SPECIFIED
 3-PLC. DIM. +/- .005
 2-PLC. DIM. +/- .010
 1-PLC. DIM. +/- .015
 FRACTIONAL +/- 1/64
 ANGULAR +/- °

REMKE INDUSTRIES

Wheeling, Illinois 60090

SCALE: FULL
 MAT'L: NEOPRENE 50-60 DURAMETER A
 FINISH: NATURAL BLACK
 PART NAME: BUSHING
 PART NUMBER: SRB-611 Thru SRB-629
 DRAWING DATE: 10/20/98 BY: C.V.