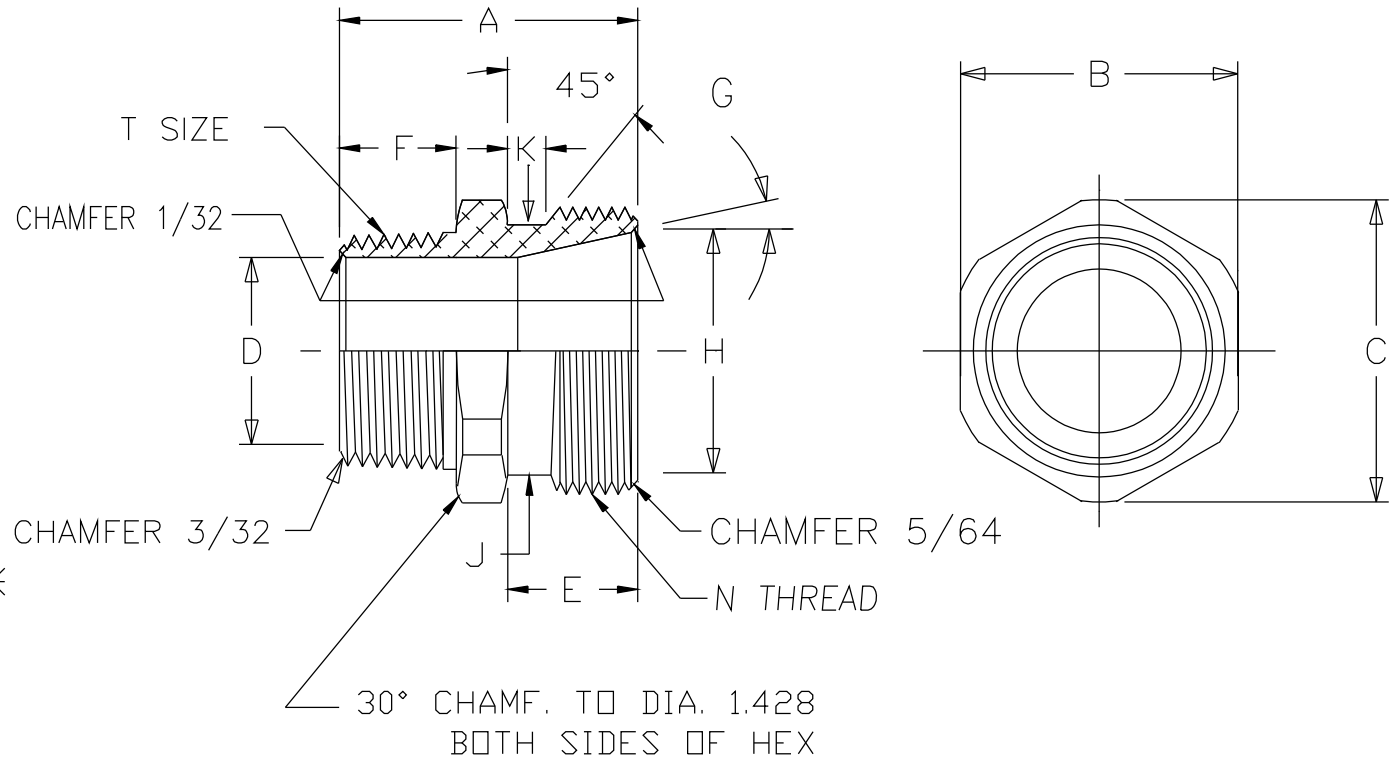


NO SHARP CORNERS – PARTICULARLY AT BORE D
 ALL CHAMFERS ARE 45 DEGREES
 TOLERANCES +/- .005 INCH, +/- ONE DEGREE

DIMENSIONS

A	1.460 *
B HEX	1.438
C DIA.	1.600
D BORE	.990
E	.620
F	.620 *
G	11 DEG.
H DIA.	1.140
J DIA	1.240
K	.20
N	1 3/8"-16 *
T	1"NPT *



REMKE INDUSTRIES
 Wheeling, Illinois 60090

SCALE: APPROX FULL
 MATERIAL: 6262T6511 HEX ALUM
 FINISH: NATURAL
 PART NAME: BODY
 PART NUMBER: RSR-300-B
 DRAWING DATE: 801226

REV. E. 11/19/92 REDRAWN USING CADD & CHANGE CHAMFER AT BORE

REV. F. 5/13/96 CHANGE SIZE OF HEX BAR

REV. G 9/21/06 "J" UNDERCUT REDRAWN, REDIMENSIONED
 TO Ø1.240 & ADDED 45° ANGLE & DIM
 "K" IS NOW .20, WAS .250 MAX.