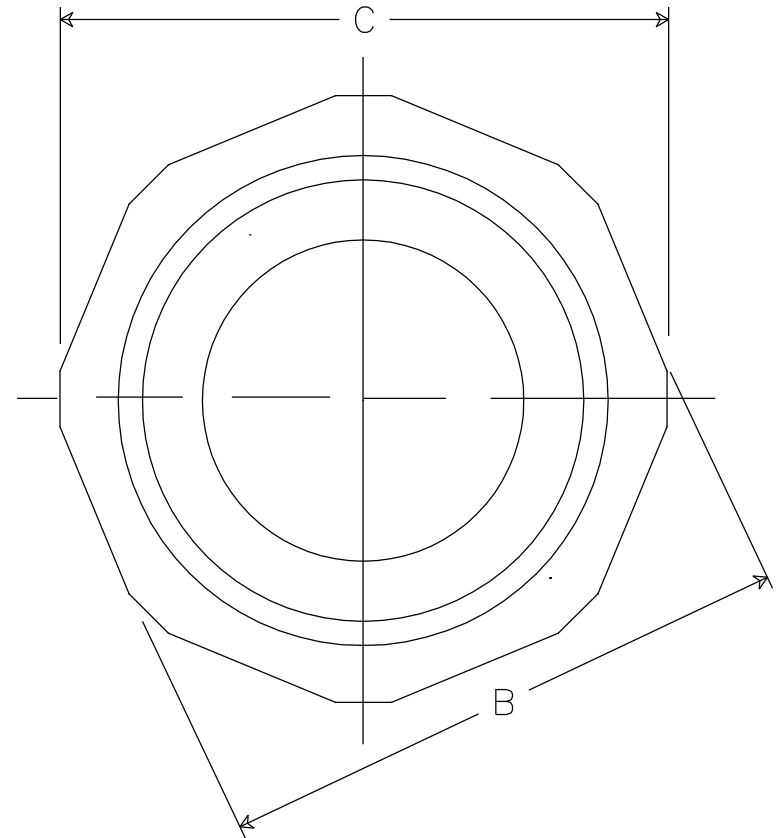
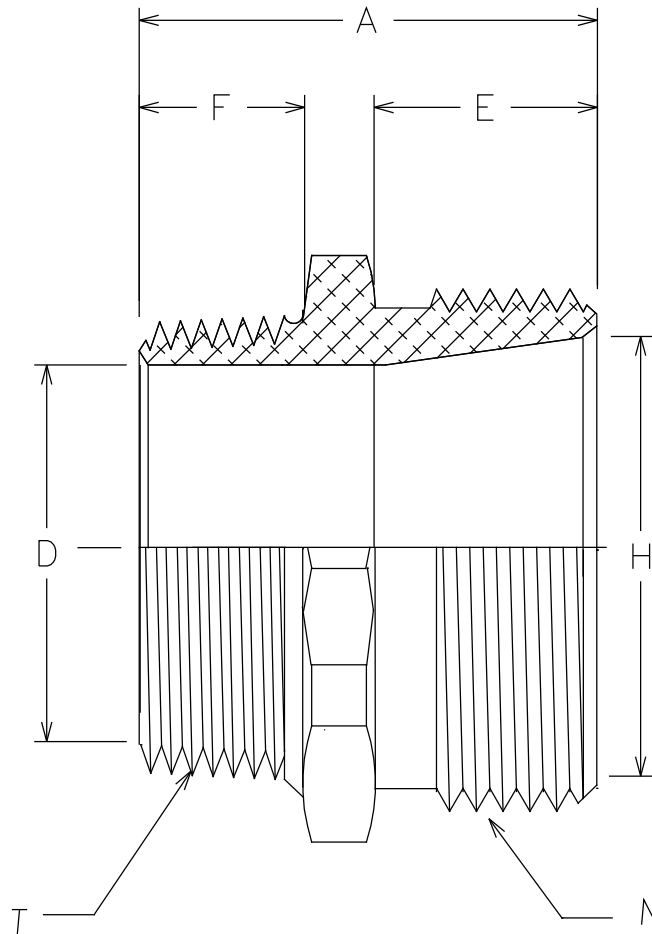


DIMENSIONS

| | | |
|---|------|-----------|
| A | | 2.46 |
| B | OCT. | 2.83 |
| C | DIA. | 2.97 |
| D | BORE | 2.03 |
| E | | 1.32 |
| F | | 0.80 |
| H | DIA. | 2.23 |
| N | | 2 5/8"-14 |
| T | | 2" NPT |



REMKE INDUSTRIES

Wheeling, Illinois 60090

SCALE: APPROX FULL

MATERIAL: 6262T6511

FINISH: NATURAL

PART NAME: BODY

PART NUMBER: RSR-600-B

DRAWING DATE: 7/19/10

| REV. | DATE | CHANGE | |
|------|---------|---------------------------|---|
| | 7/19/10 | CUSTOMER DRAWING RELEASED | UNLESS OTHERWISE SPECIFIED 3-PLC. DIM. +/- .005 2-PLC. DIM. +/- .010 1-PLC. DIM. +/- .015 FRACTIONAL +/- 1/64 ANGULAR +/- °1 |
| | | | |
| | | | |
| | | | |
| | | | |