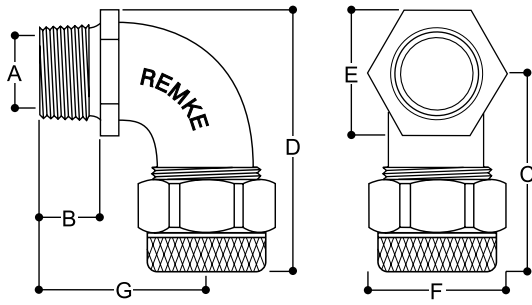


RSR SERIES 90° CORD GRIP DIMENSIONS



Note: Dimension "E" is across flats
Dimension "F" is across corners

ALUMINUM AND NICKEL-PLATED ALUMINUM

Conduit Size	A Body Bore	B	C	D	E Body Hex	F Nut	G
3/8"	0.45	0.44	1.51	2.00	0.98	0.96	1.31
1/2"	0.58	0.56	1.88	2.39	1.03	1.26	1.50
3/4"	0.76	0.63	2.25	2.88	1.25	1.55	1.99
1"	0.99	0.63	2.41	3.13	1.44	1.74	2.00
1 1/4"	1.28	0.69	3.19	4.41	2.13	2.47	2.69
1 1/2"	1.40	0.69	3.19	4.41	2.13	2.47	2.69
2"	1.90	0.81	4.03	5.56	2.81	2.97	3.19

NOTE: 1 1/4" and 1 1/2" size grips have hex positioned per right view above. All other sizes have hex positioned per left view below.