



STAINLESS STEEL
NSF Blender Station With Dump Sink
Includes Faucet • 23" and 26" Wide Units

Item #: _____	Qty #: _____
Model #: _____	
Project #: _____	



SL-RS Series
 23" Wide Units With A
 Splash Mount Faucet



CR-RS Series
 26" Wide Units With A
 Deck Mount Faucet



**15A - 120V GFI Duplex
 Receptacle Hidden
 Beneath Blender Shelf**

Conforms To NSF 61/9 Lead Free Requirements

FEATURES:

- Includes dump sink with faucet.
- SL-RS-12 & CR-RS-12 Units:** 10" x 11" x 10" Sink Bowl.
- SL-RS-18 & CR-RS-18 Units:** 10" x 14" x 7" Sink Bowl.
- Recess step with grommet hole for blender power cords.
- 15A - 120V GFI duplex outlet hidden beneath shelf.
- Includes four galvanized legs with adjustable plastic bullet feet.
- 4" backsplash.
- Adjustable galvanized side cross-bracing.
- CR-RS Series** has rear deck for extra storage

MATERIAL:

- Sink Bowl:** 20 gauge, 300 stainless steel
- Recess Step & Backsplash:** 22 gauge, 300 stainless steel
- Sides:** 16 gauge, 430 stainless steel
- Legs:** 1 5/8" O.D. 18 gauge, galvanized steel with adjustable plastic bullet feet

MECHANICAL:

- SL-RS Series:** Includes K-125 splash mount faucet.
- CR-RS Series:** Includes K-51 deck mount faucet.
- All faucets meet federal lead free standards.**
- 1" IPS Drain
- 15A - 120V duplex receptacle

OPTIONAL:

- A-15** - Chrome towel ring (packed loose)
- K-316-LU** - Add wrist handles
- SU-10A** - 18" stainless steel legs with cross-bracing
- SU-24** - Connect underbar equipment
- SU-36** - Add liquid waste chute

NOTE: Blender Stations Can Not Accommodate A Speed Rail

23" WIDE		Bowl Size	Approx. Weight	Approx. Cu. Ft.	26" WIDE		Bowl Size	Approx. Weight	Approx. Cu. Ft.	Overall Length (L)
Model #					Model #					
SL-RS-12		10"x11"x10"	20 lbs.	6	CR-RS-12		10"x11"x10"	21 lbs.	6	12"
SL-RS-18		10"x14"x7"	21 lbs.	6	CR-RS-18		10"x14"x7"	22 lbs.	6	18"

WARNING: Equipment that include faucets on this page may contain a chemical known to the State of California to cause cancer, birth defects or other reproductive harm.



Customer Service Available To Assist You 1-800-645-3166 8:30 am - 8:00 pm E.S.T.

For Orders & Customer Service:
 Email: customer@advancetabco.com or Fax: 631-242-6900

For Smart Fabrication™ Quotes:
 Email: smartfab@advancetabco.com or Fax: 631-586-2933

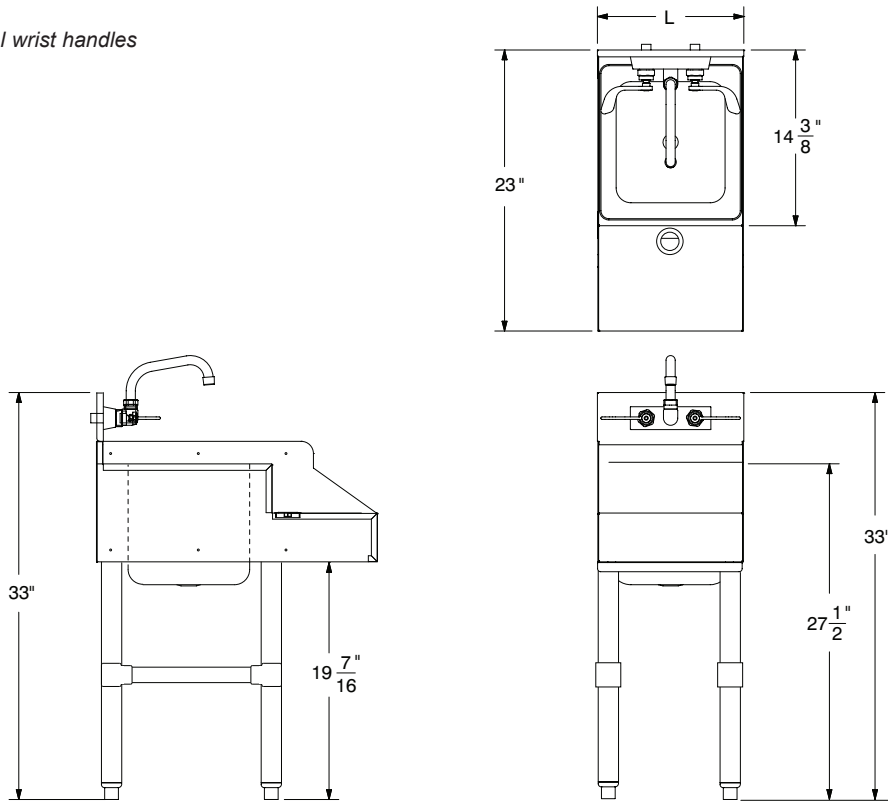
DIMENSIONS and SPECIFICATIONS

TOL Overall: ± .500" Interior: ± .250"

ALL DIMENSIONS ARE TYPICAL

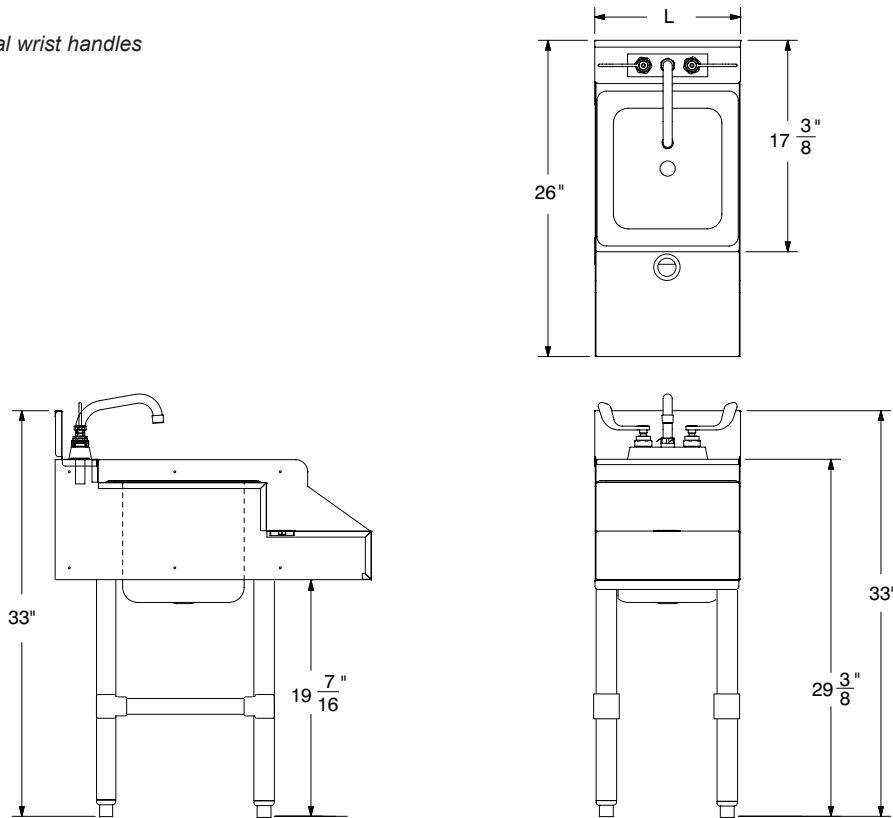
SL-RS Series

Shown with optional wrist handles



CR-RS Series

Shown with optional wrist handles



ADVANCE TABCO is constantly engaged in a program of improving our products. Therefore, we reserve the right to change specifications without prior notice.